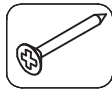
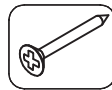

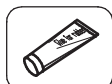


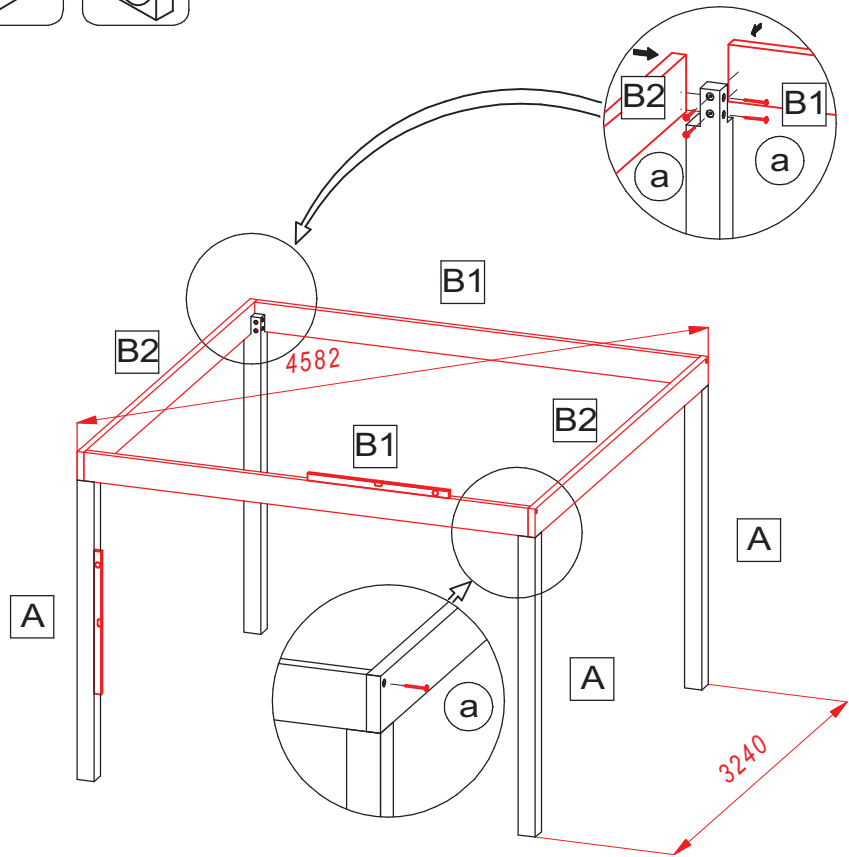
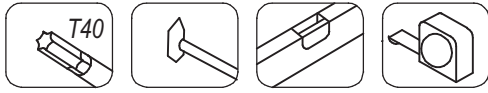
- 
∅8x100 (SPAX) - 28 pcs.
a
- 
∅8x80 (SPAX) - 16 pcs.
b
- 
∅4x30 (SPAX) - 96 pcs.
c
- 
∅5x70 (SPAX) - 8 pcs.
e
- 
∅2.2x50 - 0.8 kg
f
- 
Glue for rubber - 1 pcs.
h

*Component*

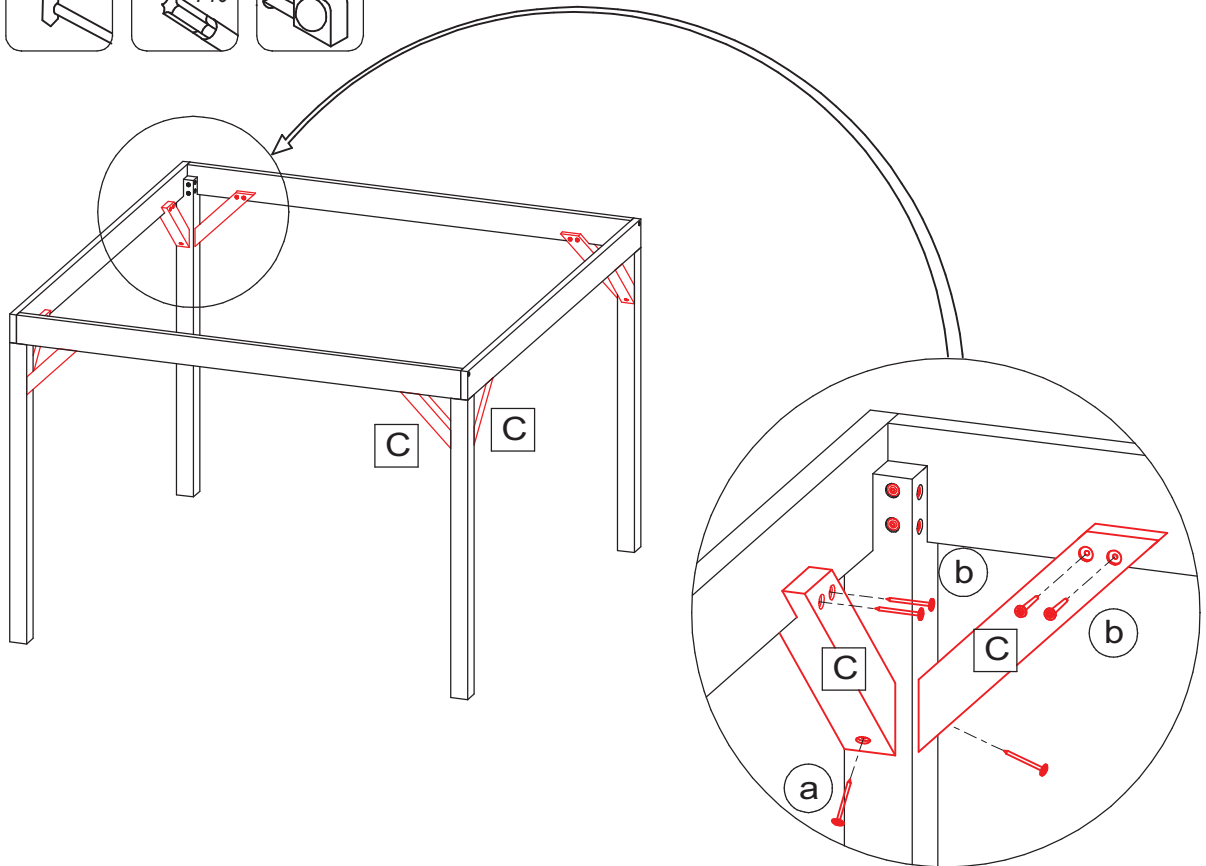
|     |                            |          |
|-----|----------------------------|----------|
| A   | Beam 120x120x2220          | 4 pcs.   |
| B1  | Beam 50x200x3140           | 2 pcs.   |
| B2  | Beam 50x200x3240           | 2 pcs.   |
| C   | Beam 90x90x600 (R i L)     | 4+4 pcs. |
| D   | Beam 50x150/120x3140       | 4 pcs.   |
| E   | Plank 35x65x3070           | 2 pcs.   |
| F1* | Plank profile Z 16x85x3130 | 41 pcs.  |
| G1* | Plank 15x50x3140           | 2 pcs.   |
| G2* | Plank 15x50x3240           | 2 pcs.   |
| H   | Holder                     | 8 pcs.   |
| I   | Tilt 4x6.1 [M]             | 1 pcs.   |
| J   | Discharge outlet           | 1 pcs.   |

\* permissible another embodiment of the length and quantity

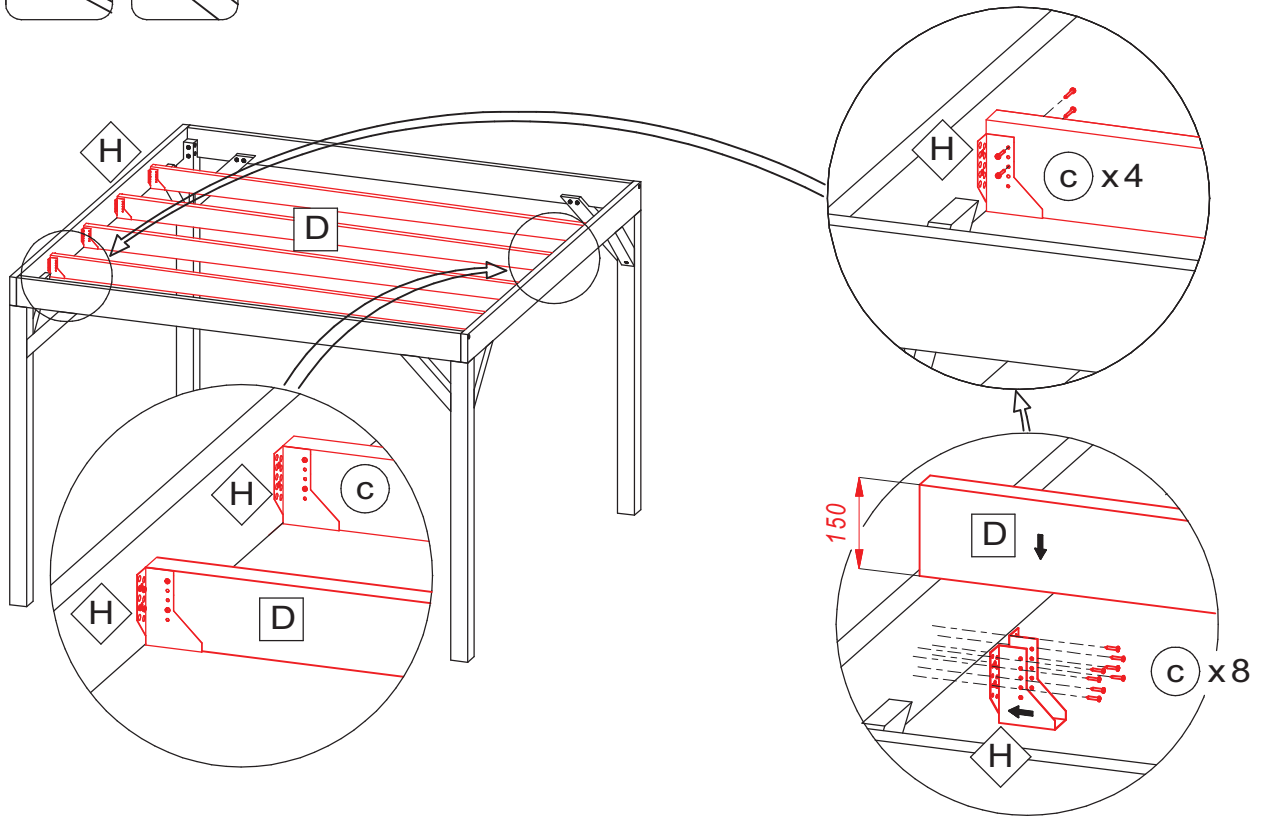
1



2



3



4

