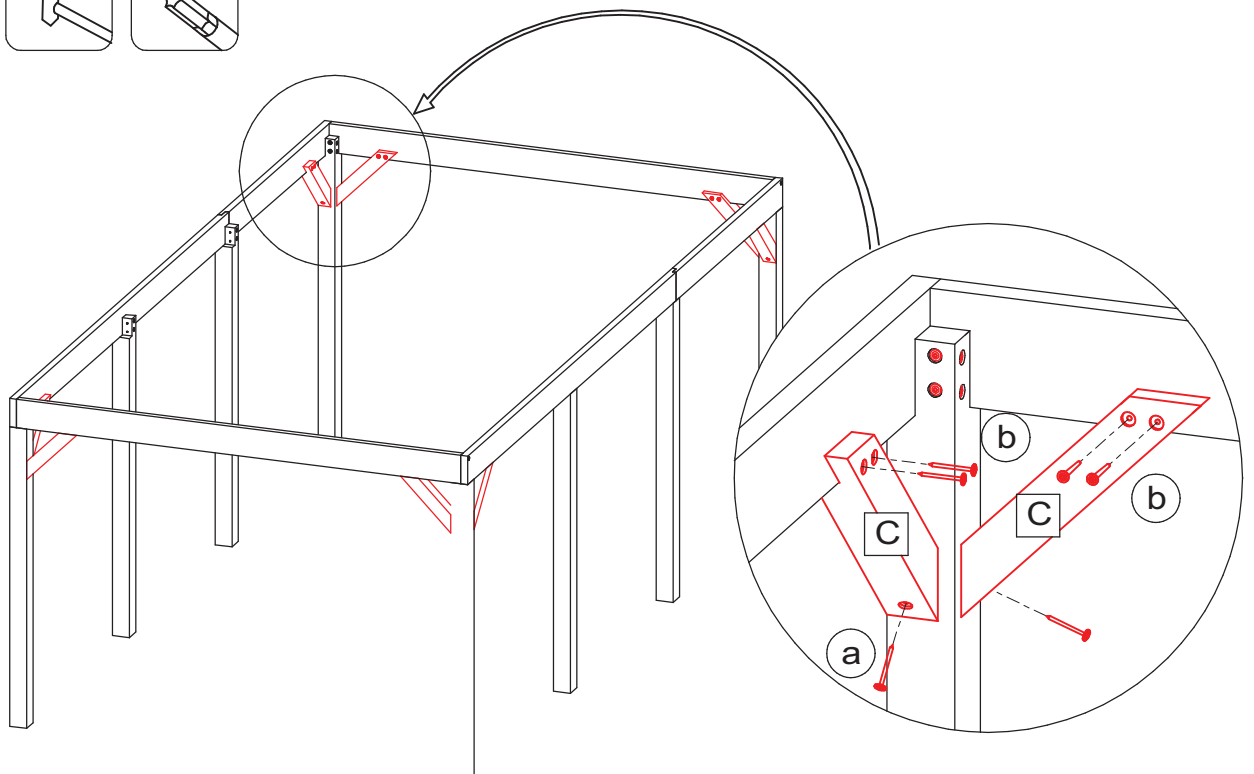
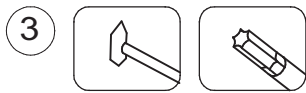
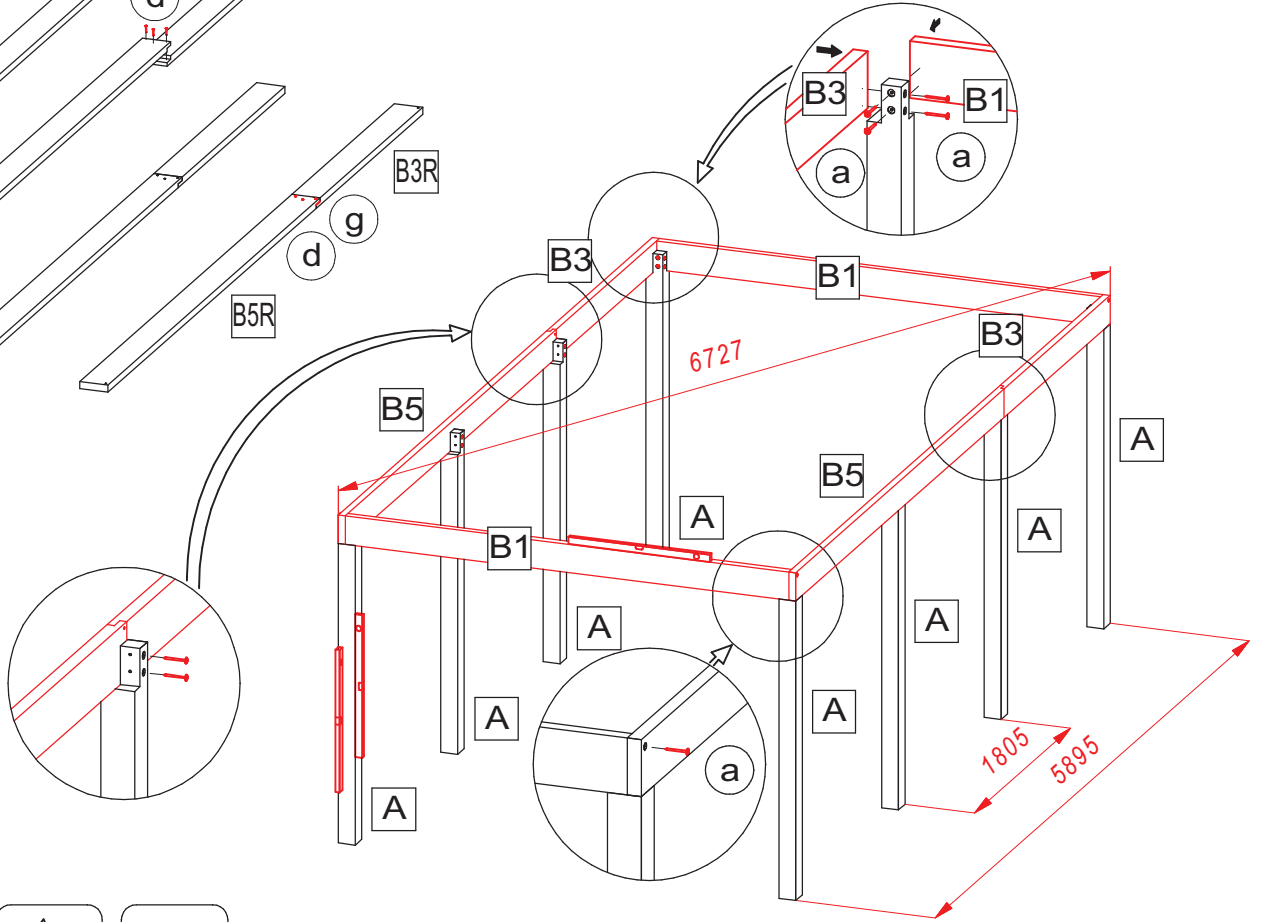
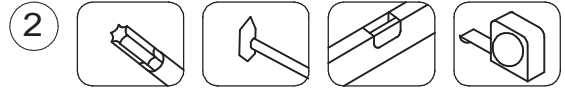
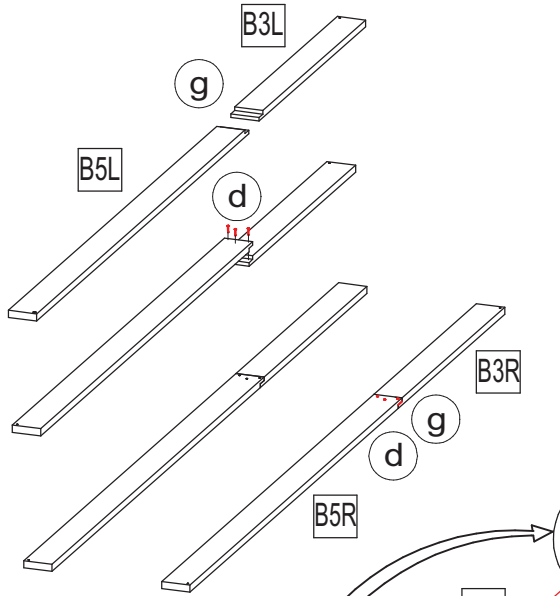
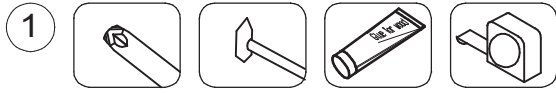


-   $\varnothing 8 \times 100$  (SPAX) - 44 pcs. (a)
-   $\varnothing 8 \times 80$  (SPAX) - 16 pcs. (b)
-   $\varnothing 4 \times 30$  (SPAX) - 144 pcs. (c)
-   $\varnothing 4 \times 45$  (SPAX) - 6 pcs. (d)
-   $\varnothing 5 \times 70$  (SPAX) - 8 pcs. (e)
-   $\varnothing 2.2 \times 50$  - 1,4 kg (f)
-  Glue for wood - 1 pcs. (g)
-  Glue for rubber - 1 pcs. (h)

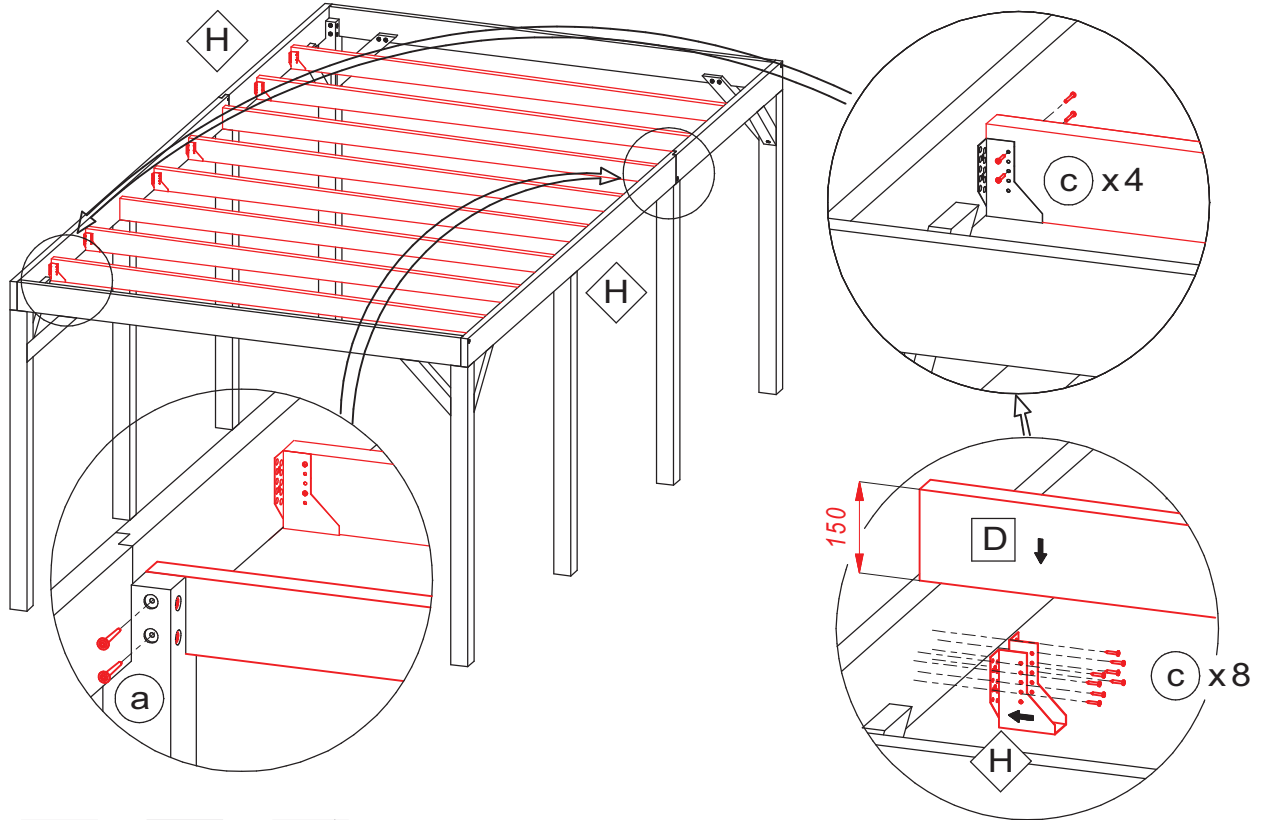
Component

A	Beam 120x120x2220	8 pcs.
B1	Beam 50x200x3140	2 pcs.
B3	Beam 50x200x1995 (R i L)	1+1 pcs.
B5	Beam 50x200x3970 (R i L)	1+1 pcs.
C	Beam 90x90x600 (R i L)	4+4 pcs.
D	Beam 50x150/120x3140	8 pcs.
E	Lath 35x65x3070	2 pcs.
F2 *	Plank profile "Z" 16x87x1965	41 pcs.
F3 *	Plank profile "Z" 16x87x3820	41 pcs.
G1	Top lath 15x50x3140	2 pcs.
G3 *	Top lath 15x50x1995	2 pcs.
G4 *	Top lath 15x50x3900	2 pcs.
H	Holder	12 pcs.
I	Tilt 4x6.1 [M]	1 pcs.
J	Discharge outlet	1 pcs.

\* permissible another embodiment of the length and quantity



4



5

