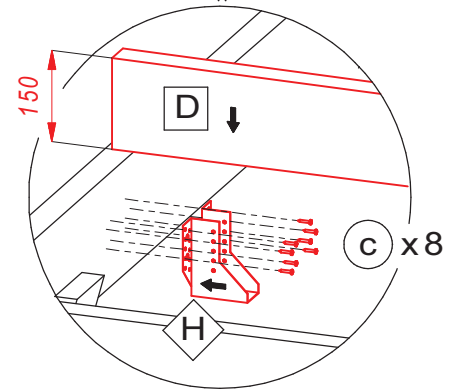
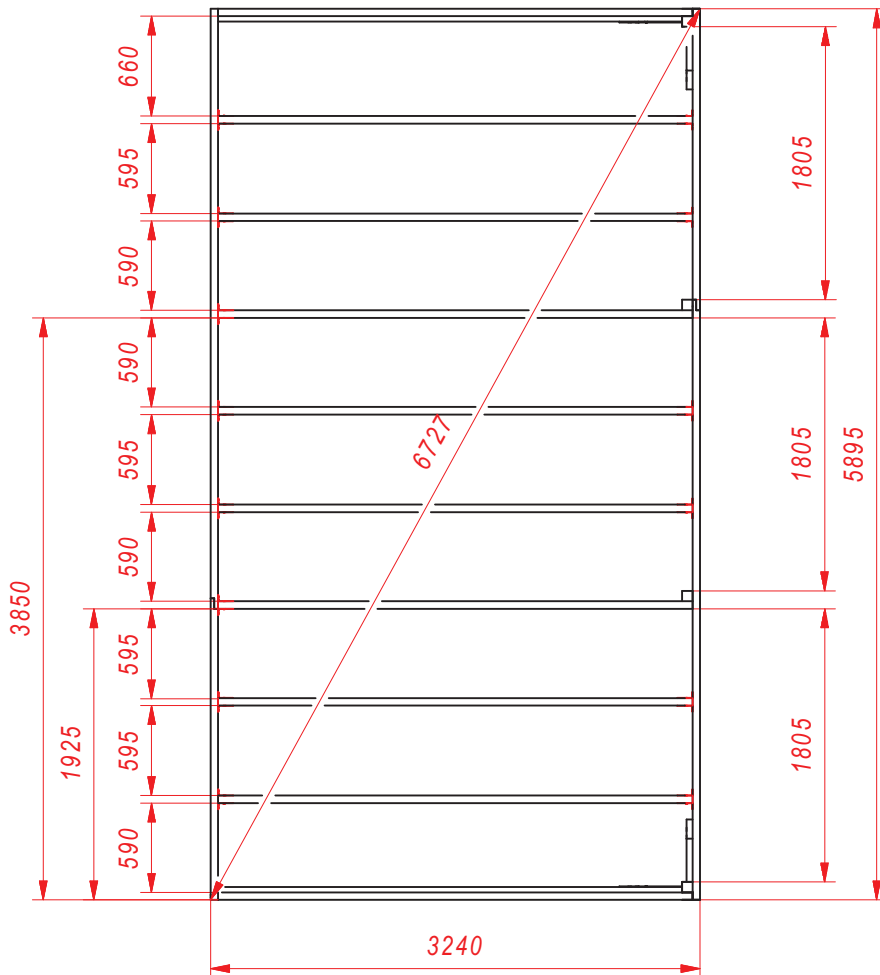
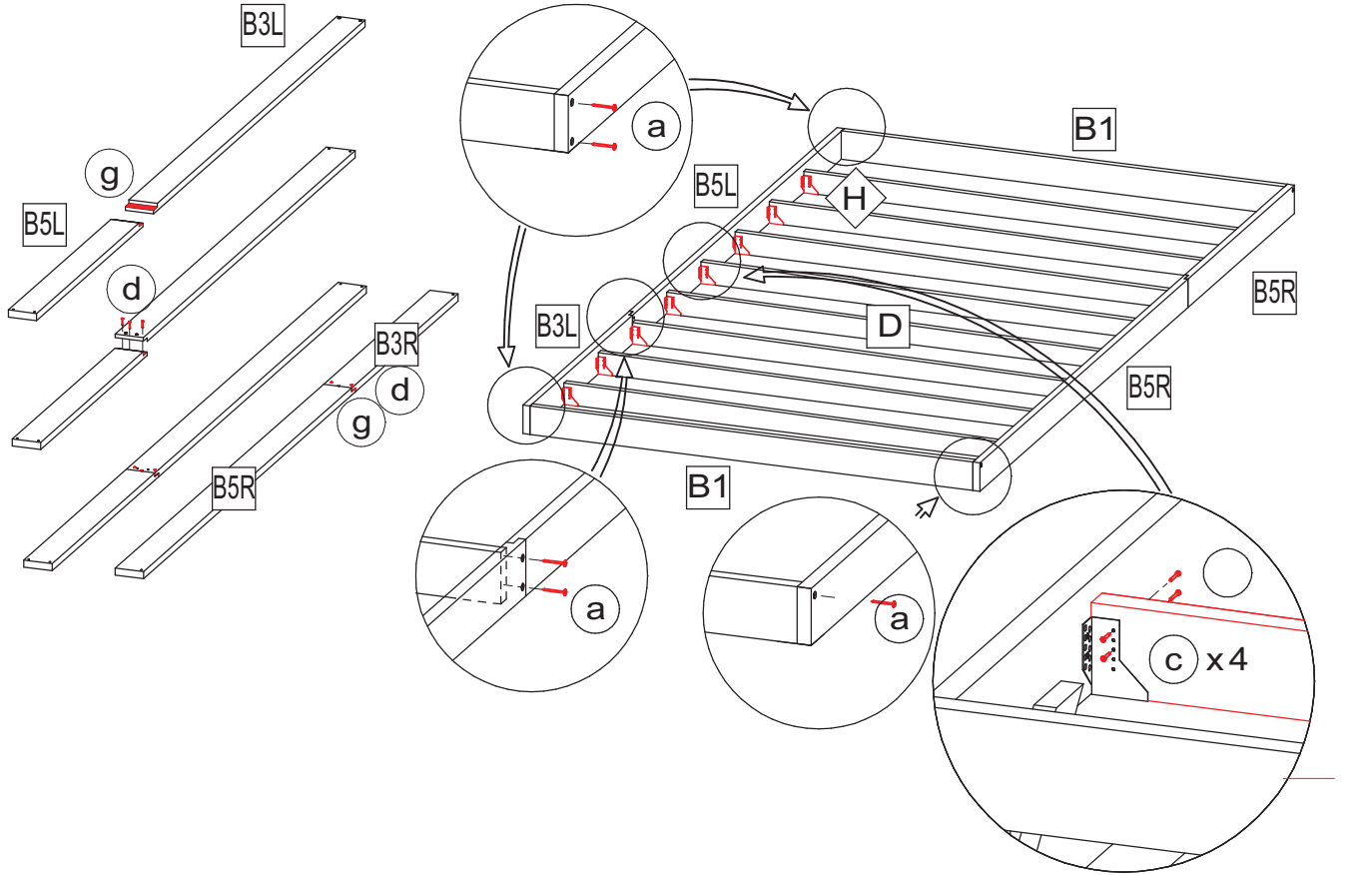
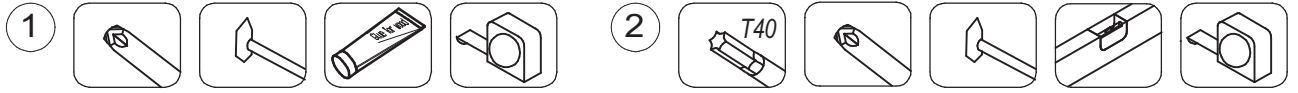


-  $\varnothing 8 \times 100$ (SPAX) - 28 pcs. a
-  $\varnothing 8 \times 80$ (SPAX) - 8 pcs. b
-  $\varnothing 4 \times 30$ (SPAX) - 168 pcs. c
-  $\varnothing 4 \times 45$ (SPAX) - 6 pcs. d
-  $\varnothing 5 \times 70$ (SPAX) - 8 pcs. e
-  $\varnothing 2.2 \times 50$ - 1,4 kg f
-  Glue for wood - 1 pcs. g
-  Glue for rubber - 1 pcs. h

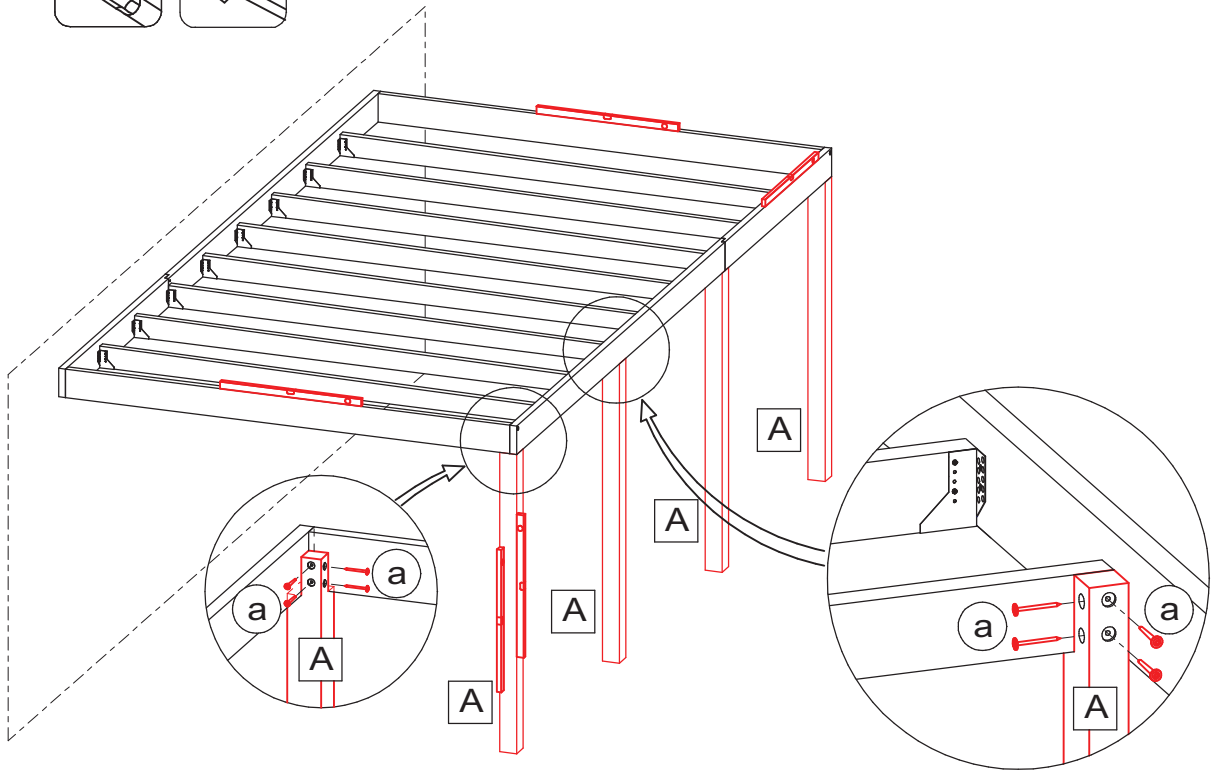
Component

A	Beam 120x120x2220	11 pcs.
B1	Beam 50x200x3140	2 pcs.
B3	Beam 50x200x1995 (R)	1 pcs.
B5	Beam 50x200x3970 (R)	1 pcs.
B3L	Beam 50x200x1995 (L)	1 pcs.
B5L	Beam 50x200x3970 (L)	1 pcs.
C	Beam 90x90x600 (R i L)	2+2 pcs.
D	Beam 50x150/120x3140	8 pcs.
E	Lath 35x65x3070	2 pcs.
F2 *	Plank profile "Z" 16x85x3820	41 pcs.
F3 *	Plank profile "Z" 16x85x1965	41 pcs.
G1	Top lath 15x50x3140	2 pcs.
G3 *	Top lath 15x50x1995	2 pcs.
G4 *	Top lath 15x50x3900	2 pcs.
H	Holder	14 pcs.
I	Tilt 4x6.1 [M]	1 pcs.
J	Discharge outlet	1 pcs.

* permissible another embodiment of the length and quantity



3



4

