



QC checked

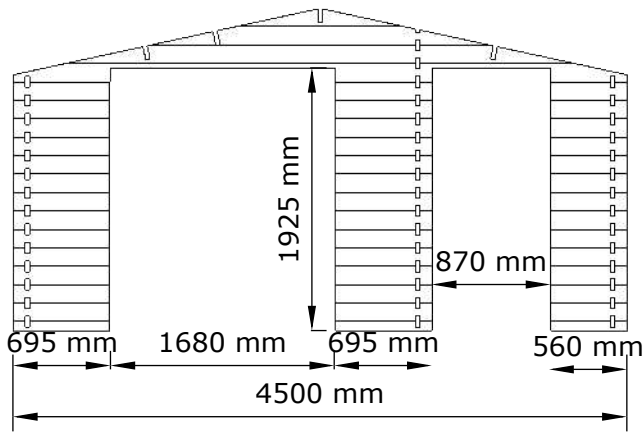
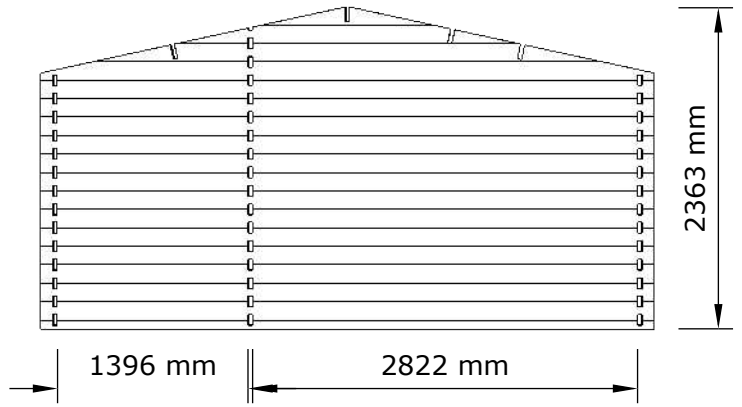
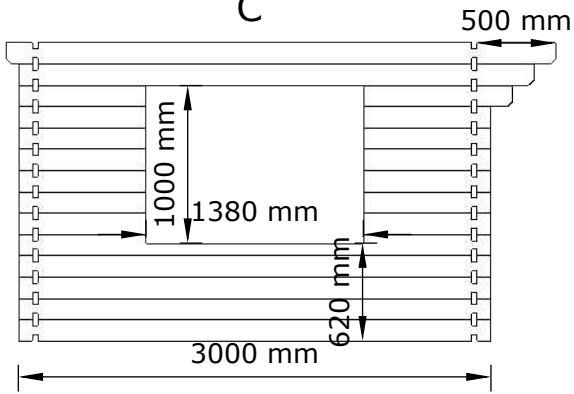
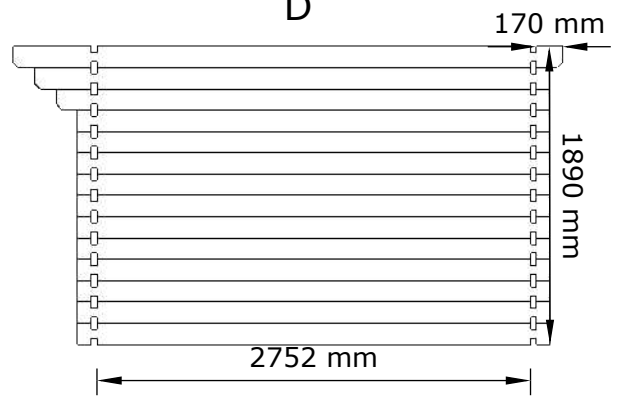
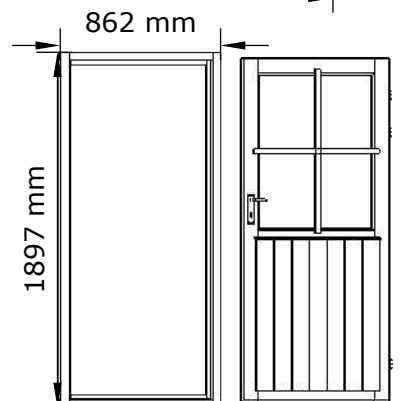
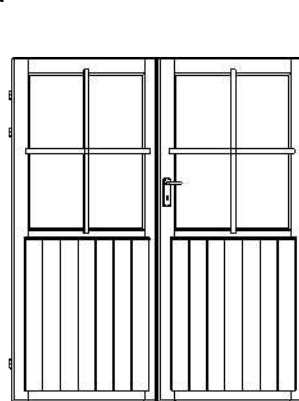
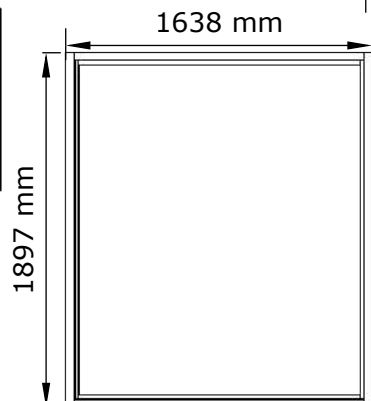
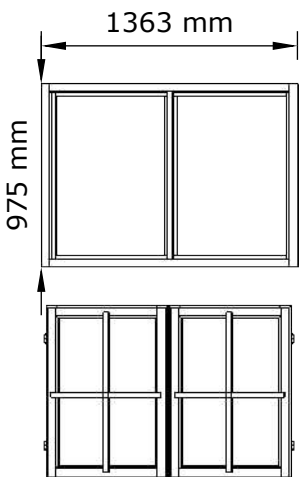
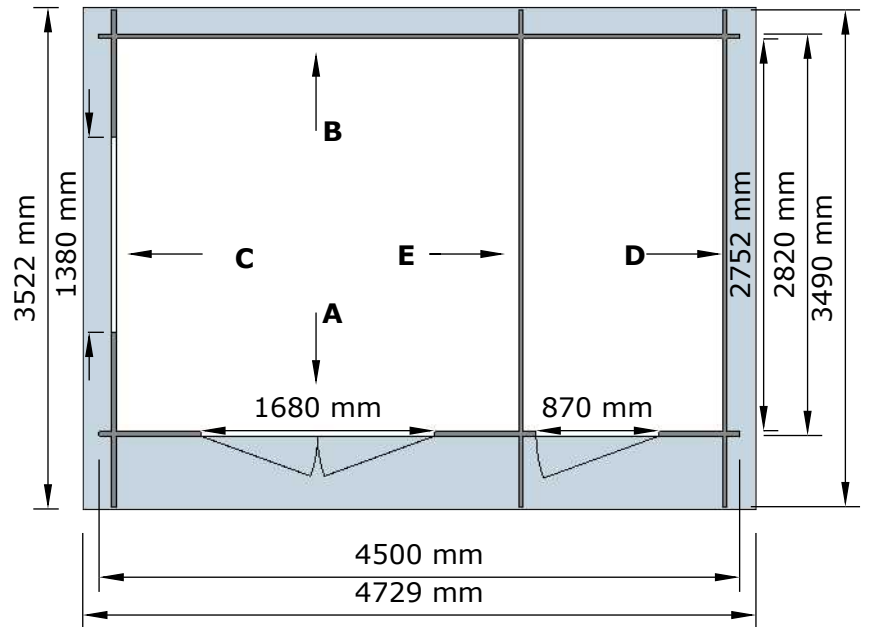
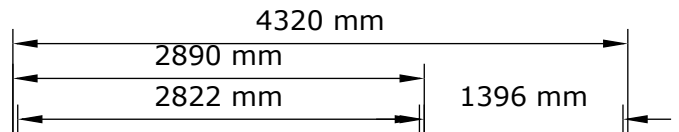
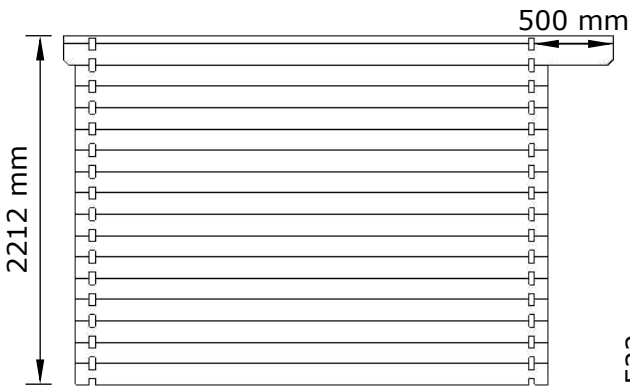
**Fraga 4,5x3,0 LIST 34mm**

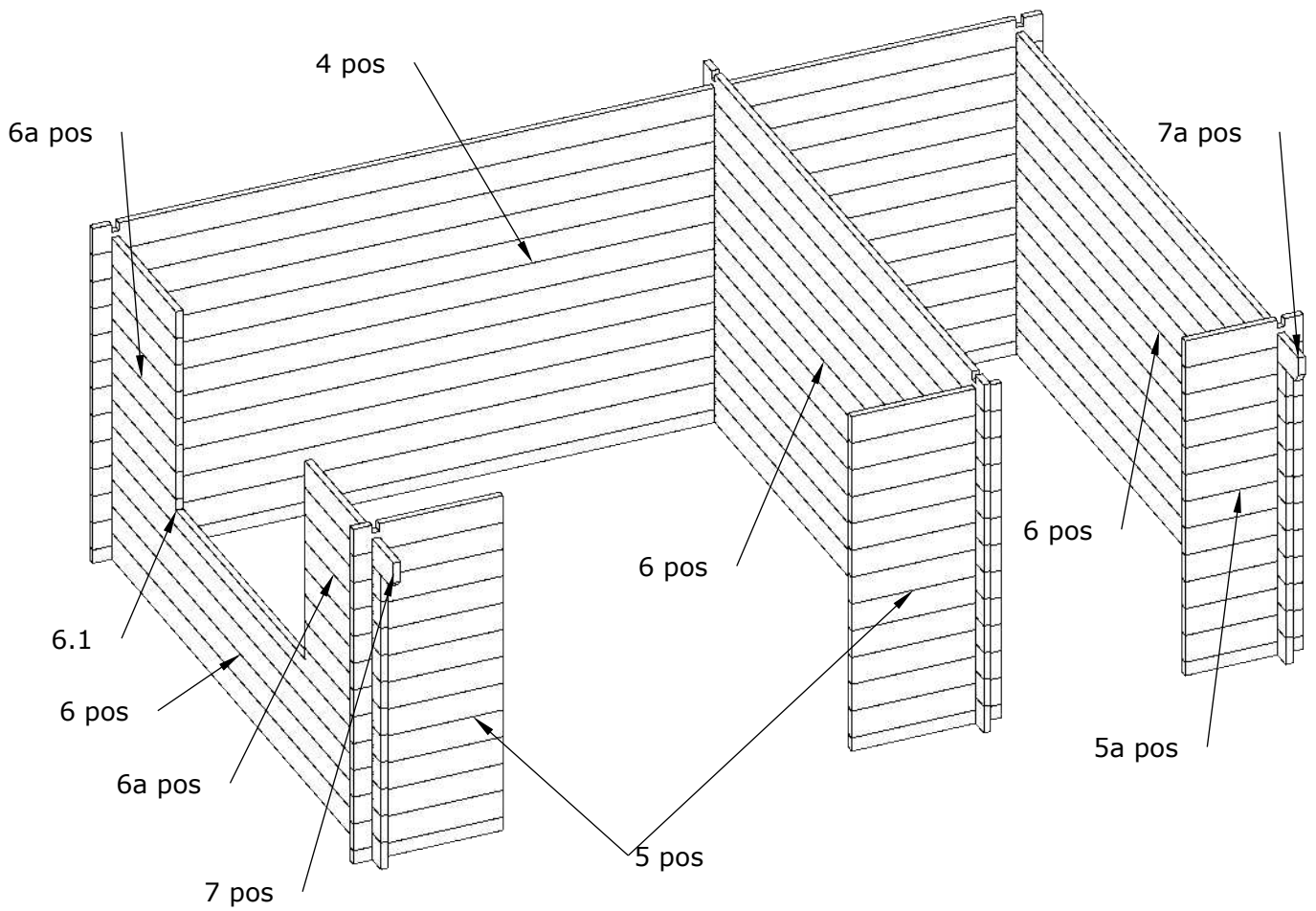
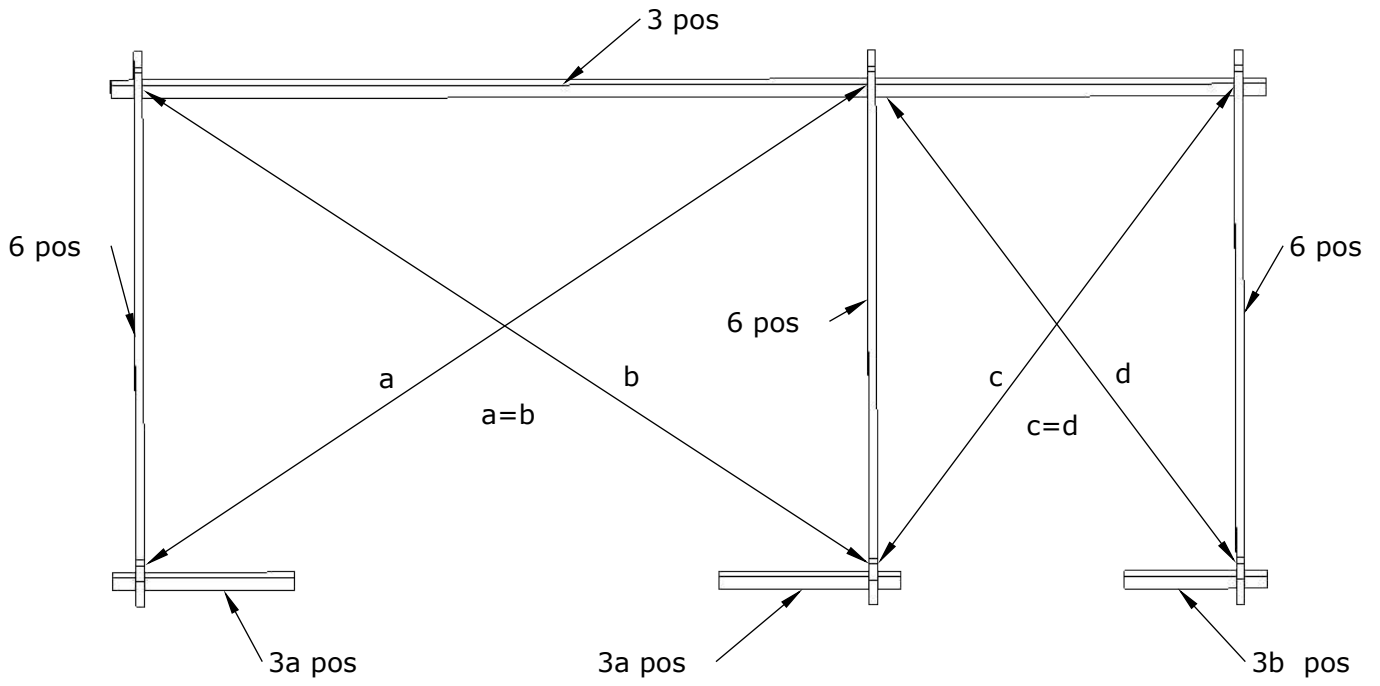
Pos	Size, mm h x b x l			Quantity		Destination
3	34	67,5	4500	1		Wall B
3a	34	67,5	695	2		Wall A
3b	34	67,5	560	1		Wall A
4	34	135	4500	13		Wall B
5	34	135	695	26		Wall A
5a	34	135	560	13		Wall A
6	34	135	3000	30		Wall C,D,E
6.1	34	135	3000	1		Wall C
6a	34	135	810	13		Wall C
7	34	135	947	1		Wall C
7a	34	135	3137	1		Wall D
7b	34	135	3273	2		Wall C,D
7c	34	135	3490	3+1		Wall C,D, E +1 additional board
7d	34	52	3490	1		Wall E
8	34	540	4500	1		Vault
8a	34	540	4500	1		Vault
9	34	140	3490	1		Rafter
9a	34	140	3490	3		Rafter
10	16	90	2400	79		Roof board
11	16	90	2440	4		Wind board A,B
11a	16	65	2440	4		Wind board A,B
12	16	65	(1745) 3490	(4) 2		Roof board C,D
13				2		Diamond
14	16	65	1335	2		
15	16	65	1070	4		
15a	16	90	1520	2		
16	16	65	1890	8		
16a	16	90	1760	2		
17a	16	90	1020	2		
18				1		Window
19				1+1		1xDoor / 2xDoor

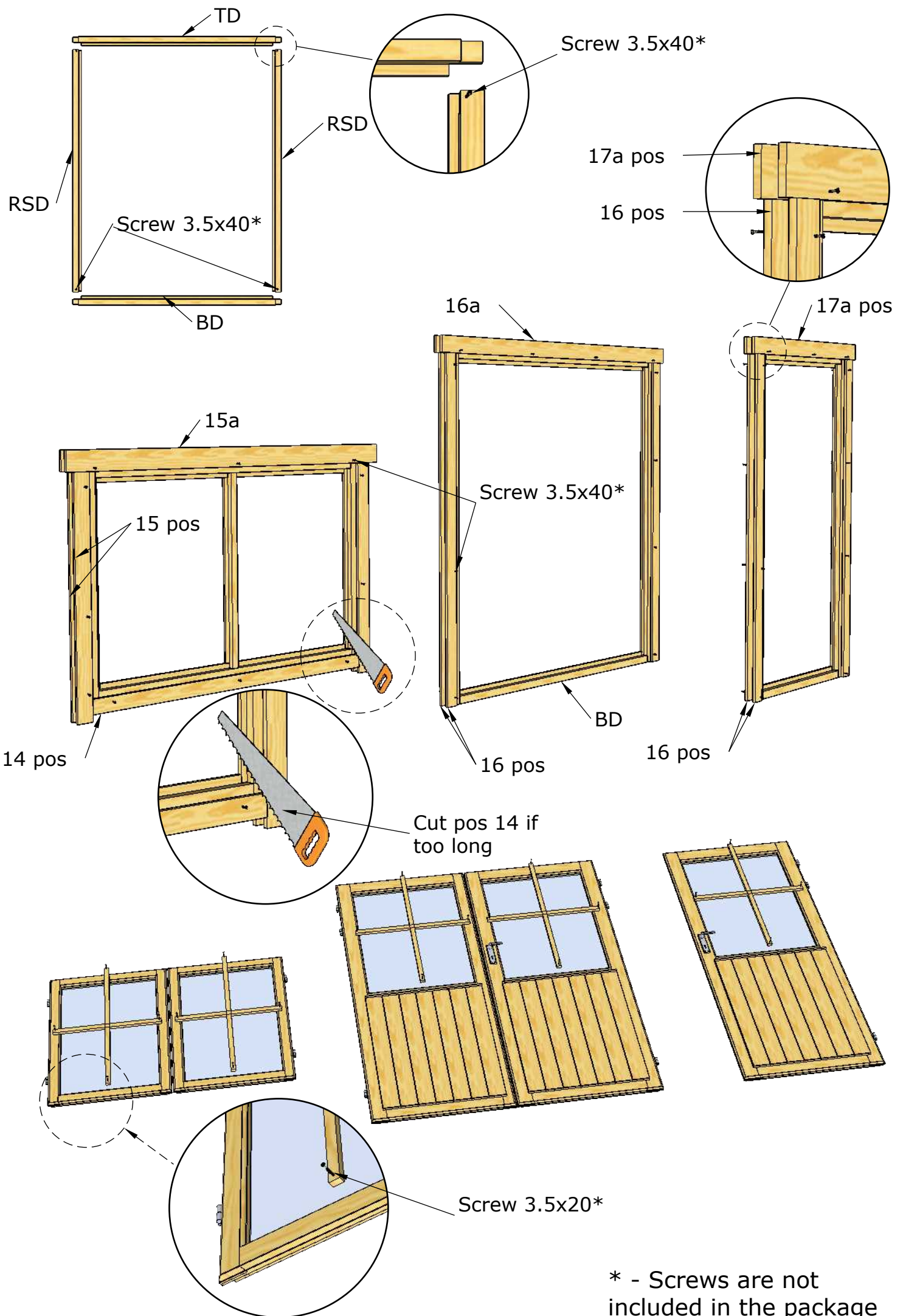


Recommendations.

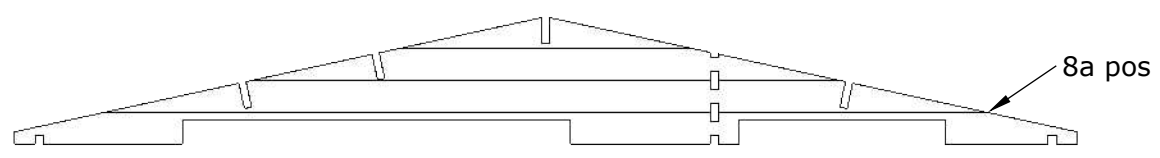
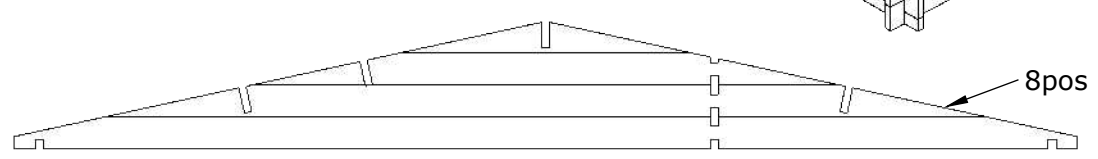
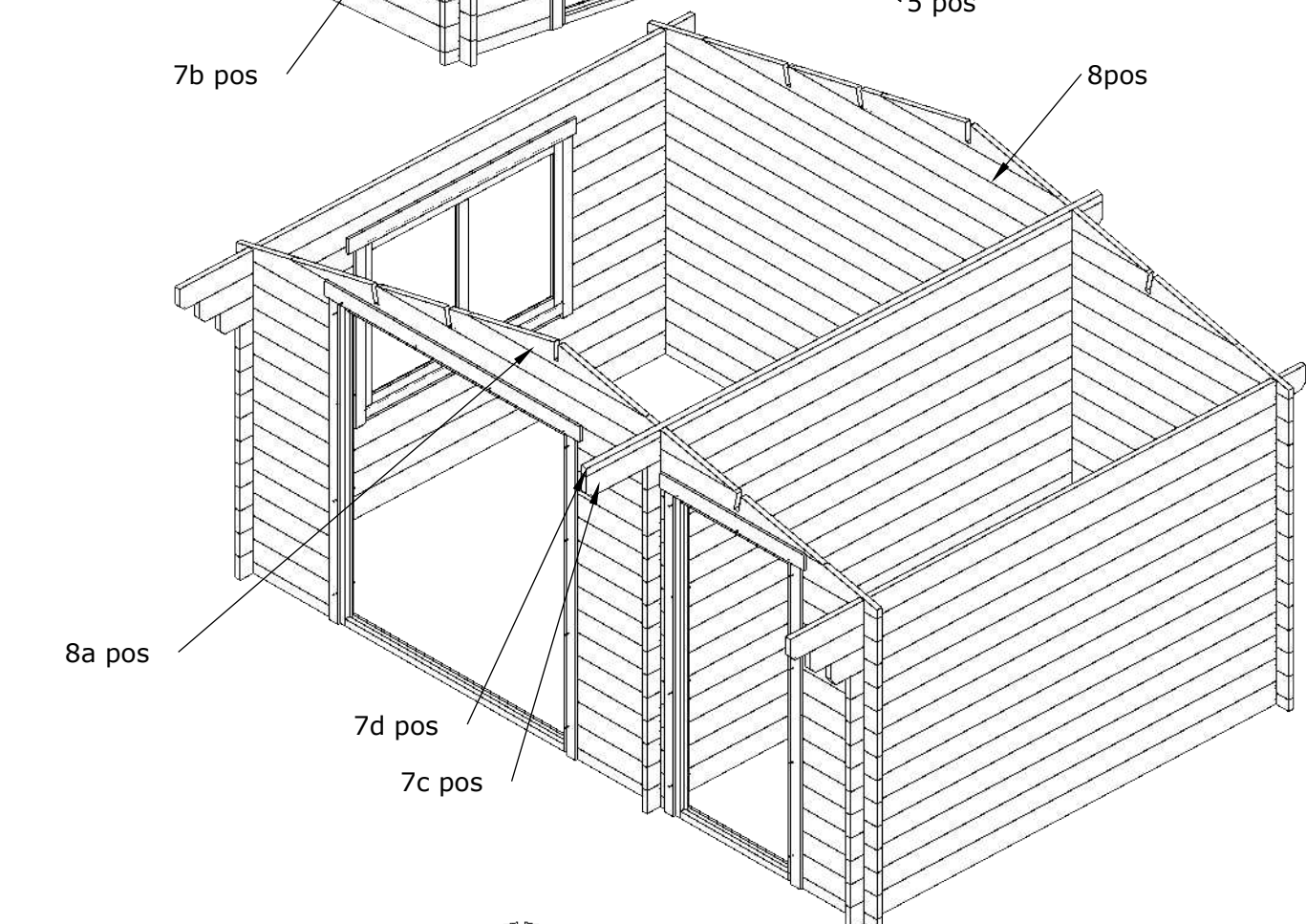
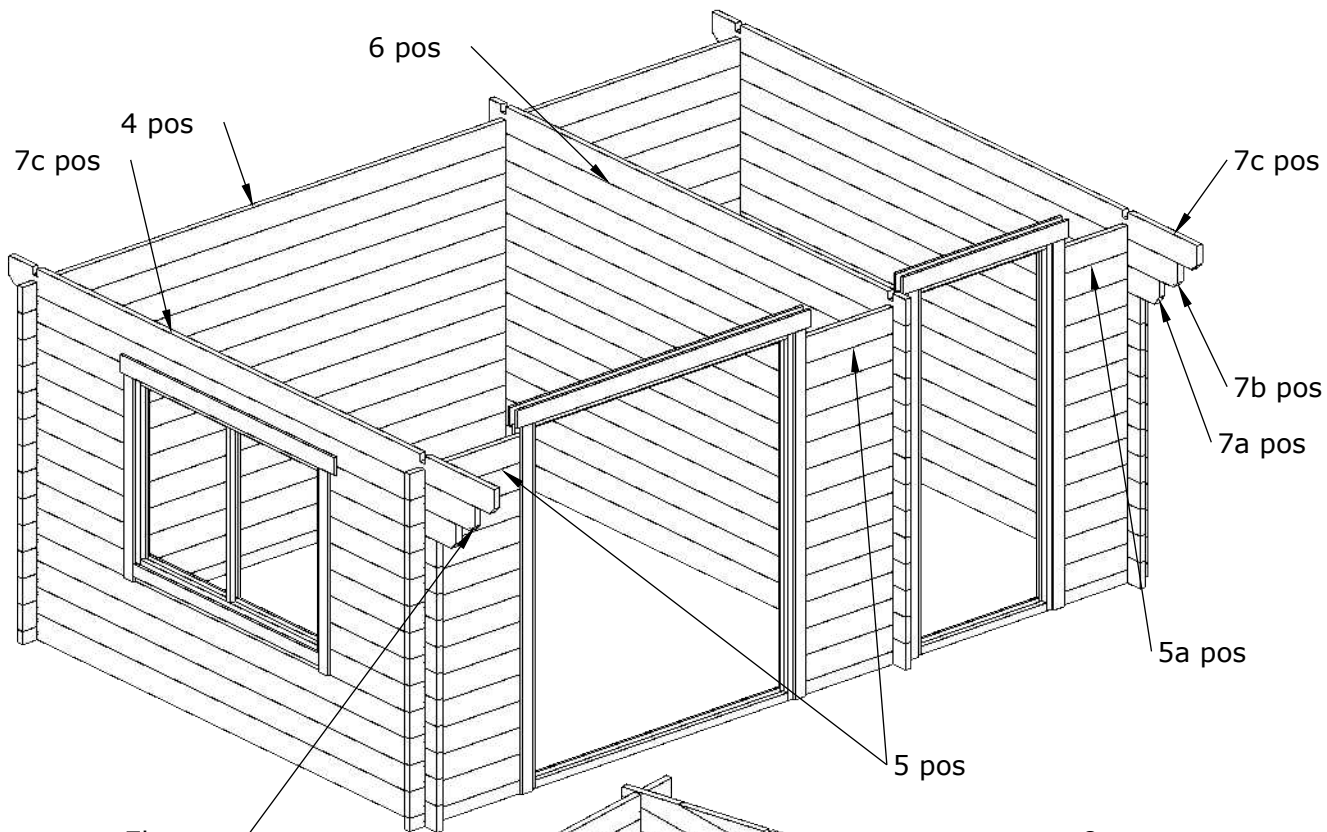
It is recommended to install a ventilation system in the house.

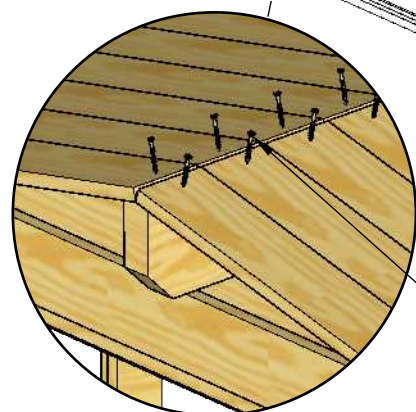
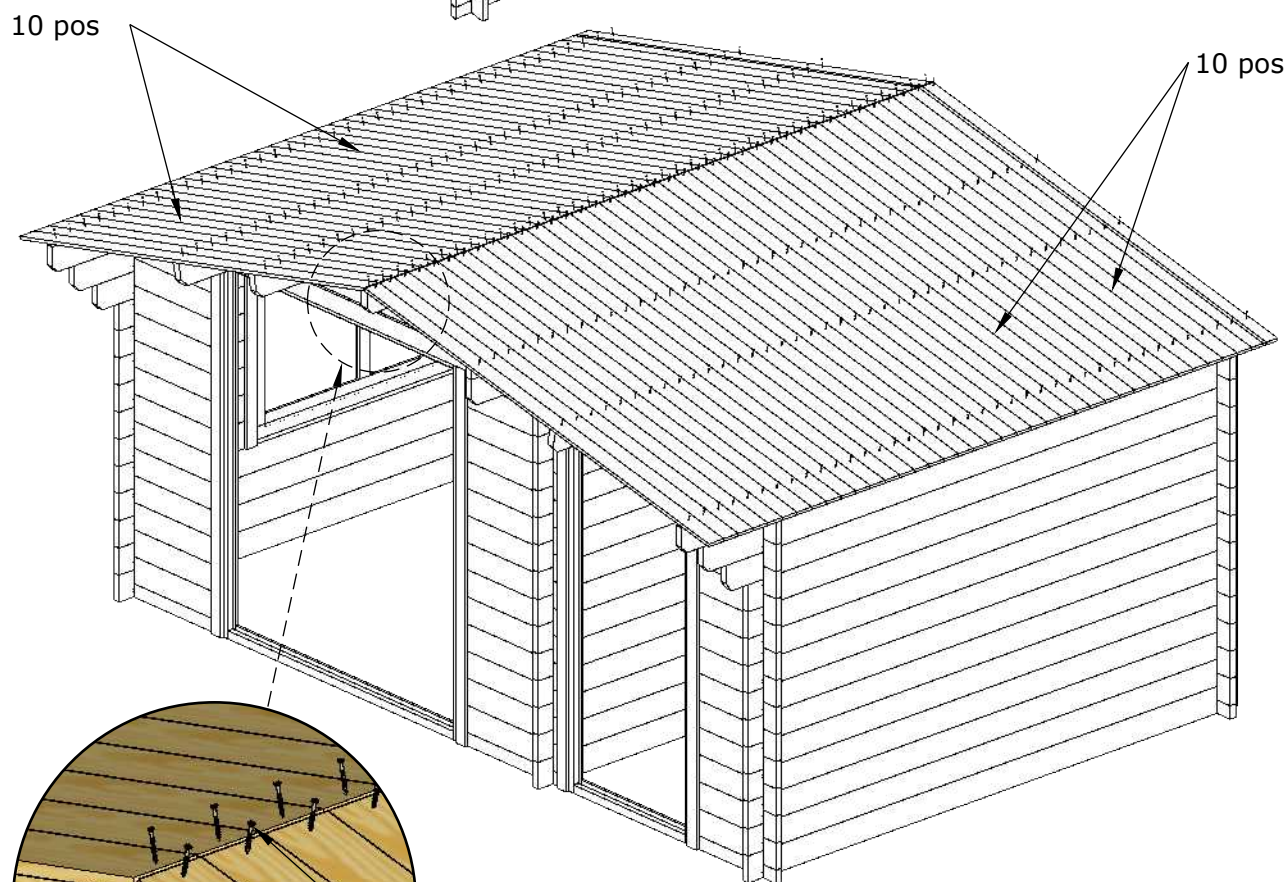
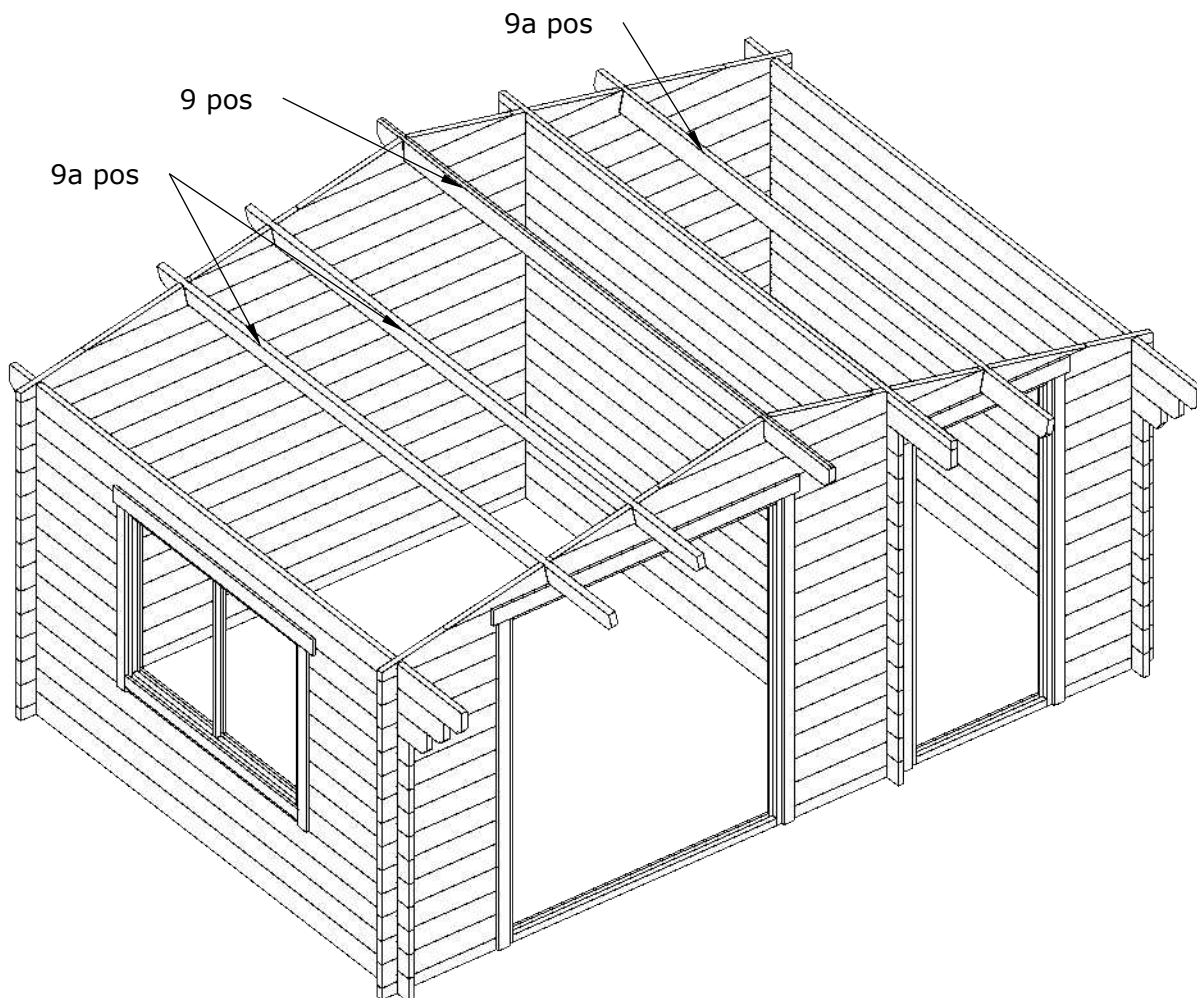
**A****B****C****D****E**





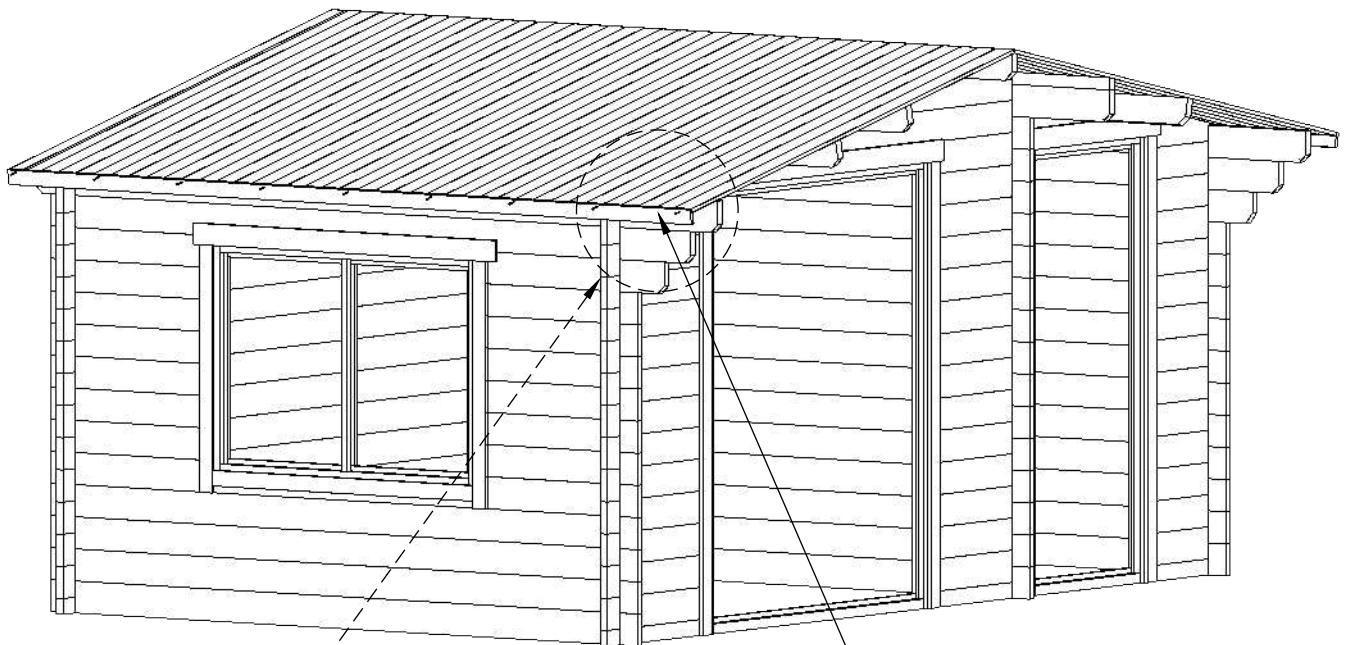
\* - Screws are not included in the package



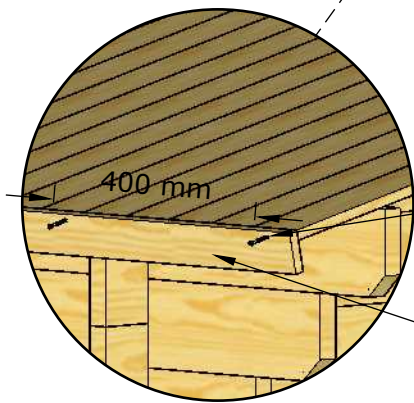


Screw 3.5x40\*

\* - Screws are not included in the package



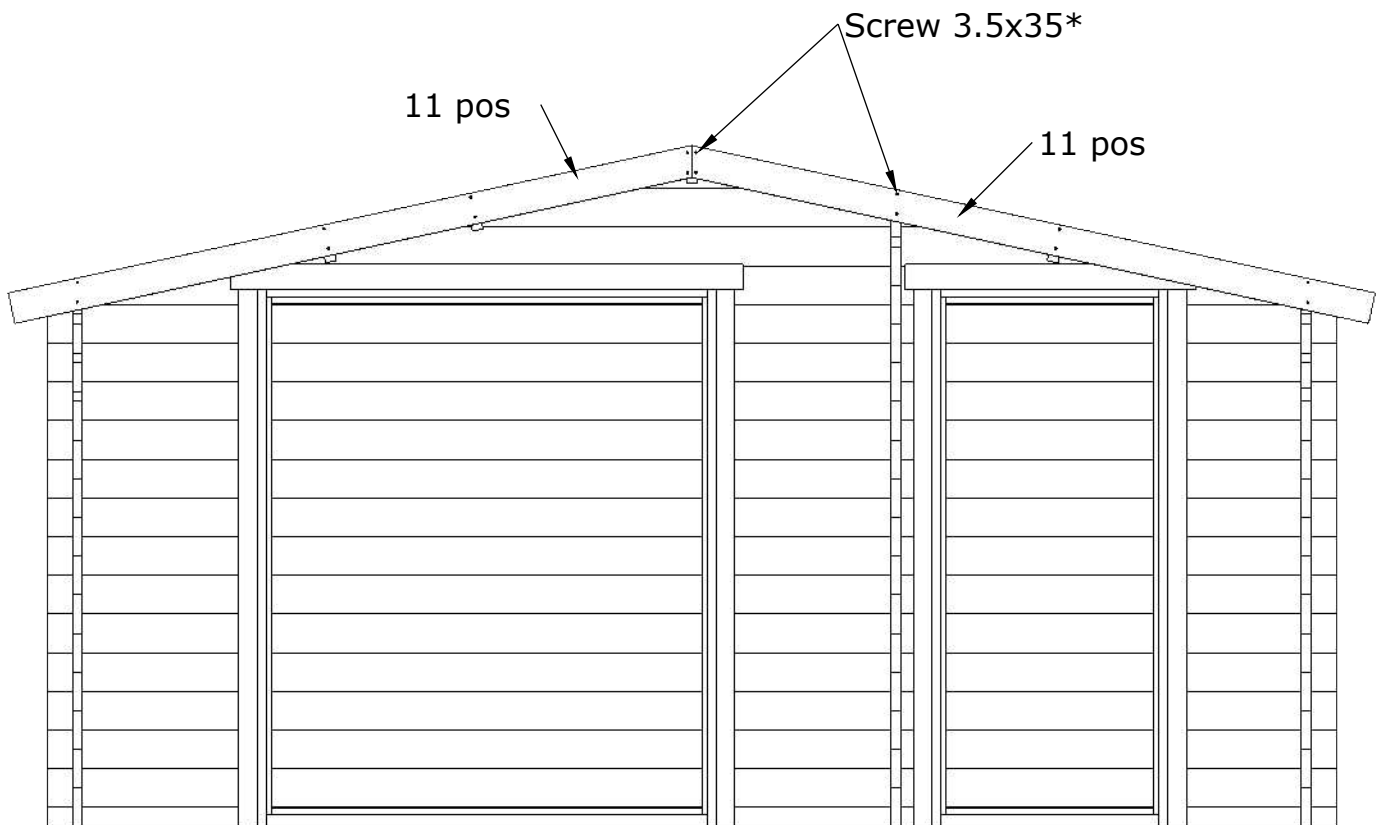
12 pos



400 mm

Screw 3.5x35\*

12 pos

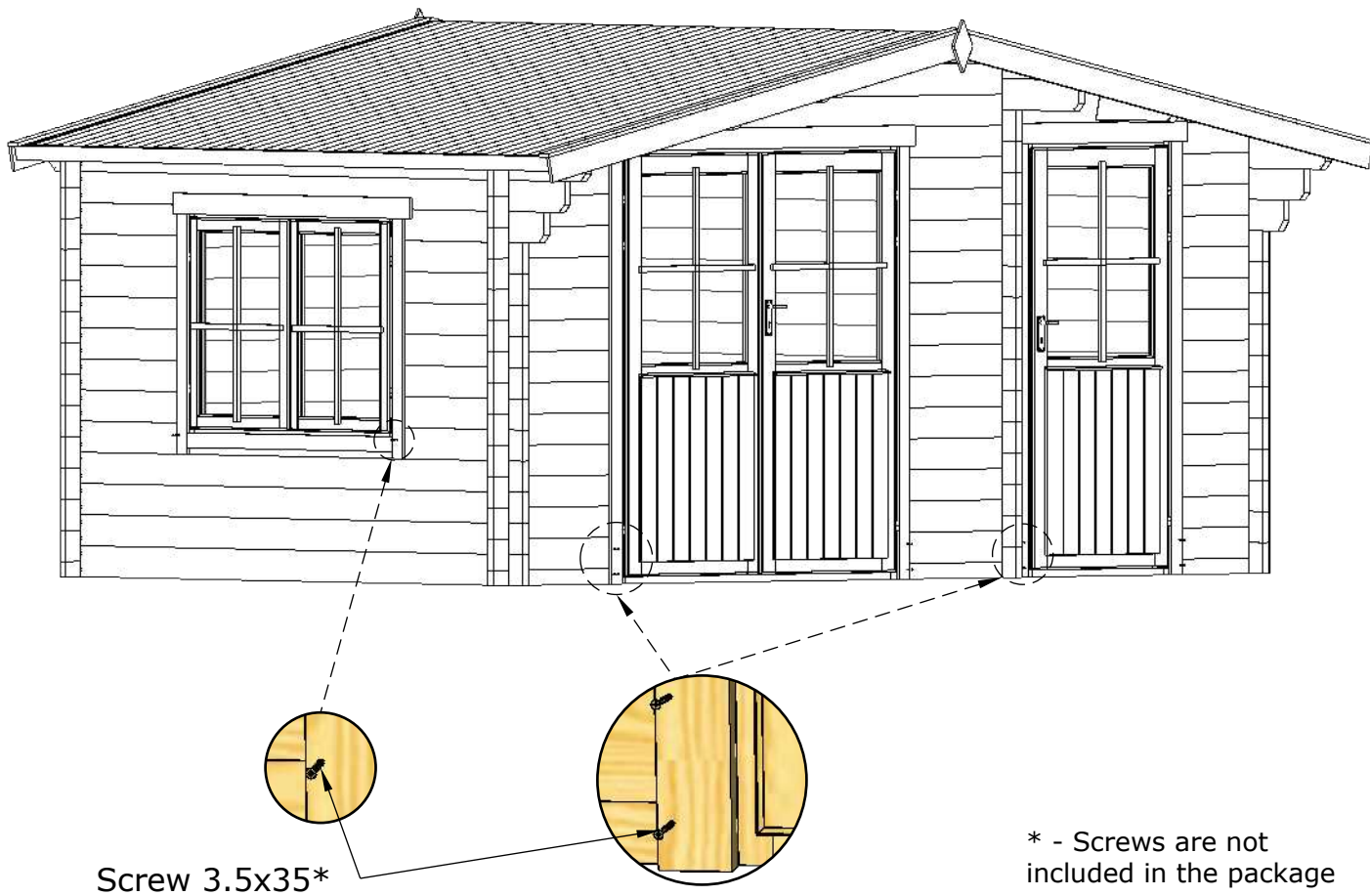
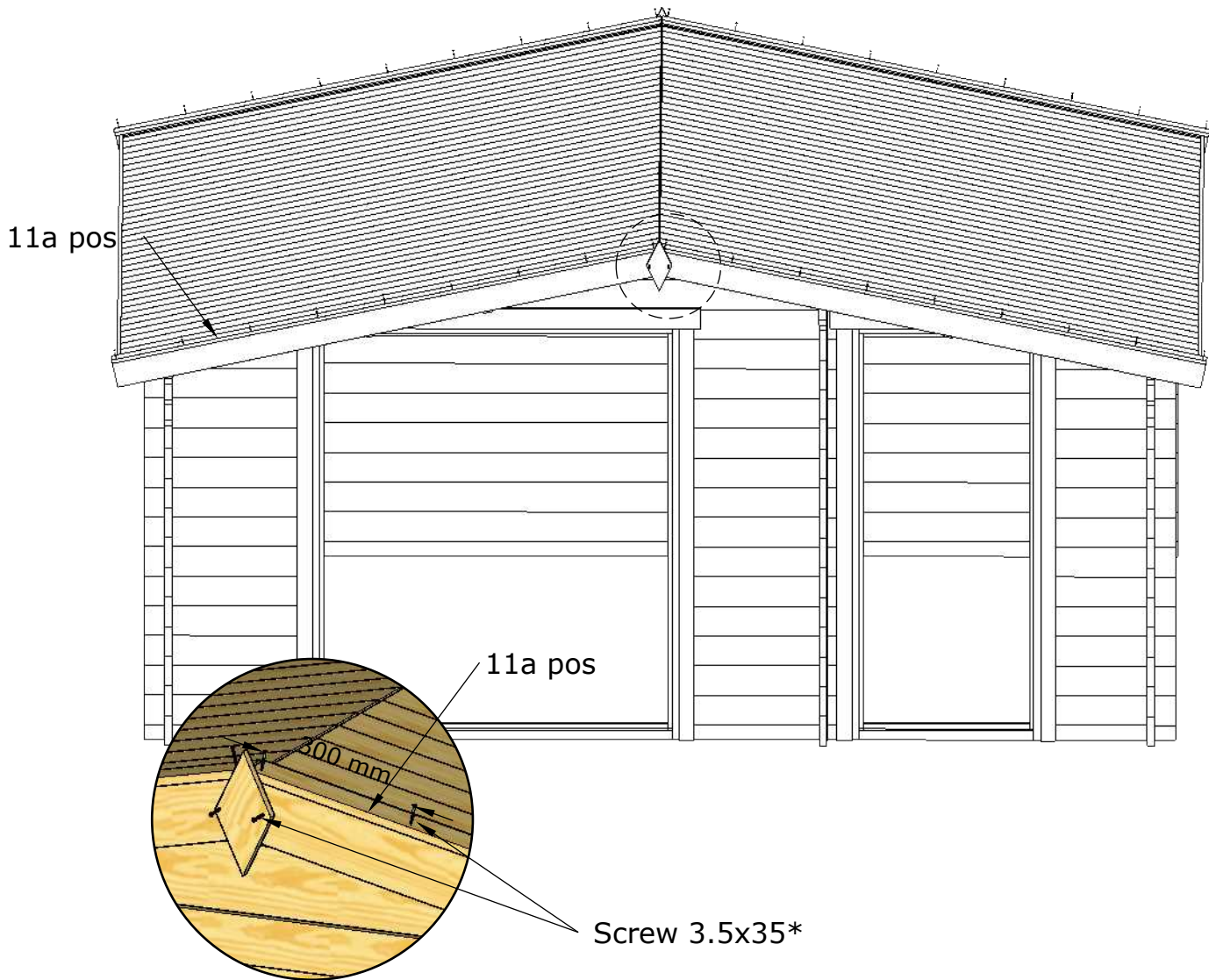


Screw 3.5x35\*

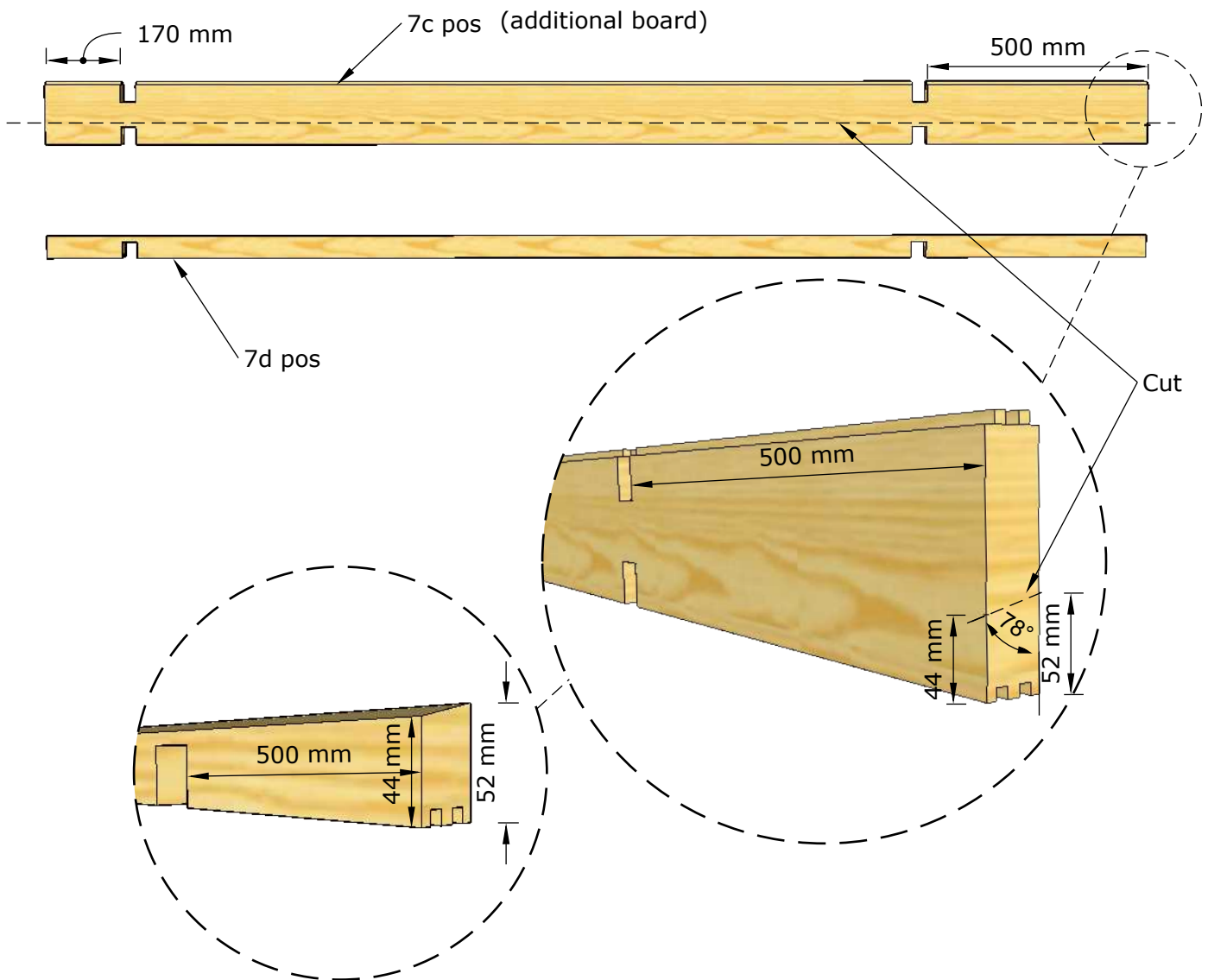
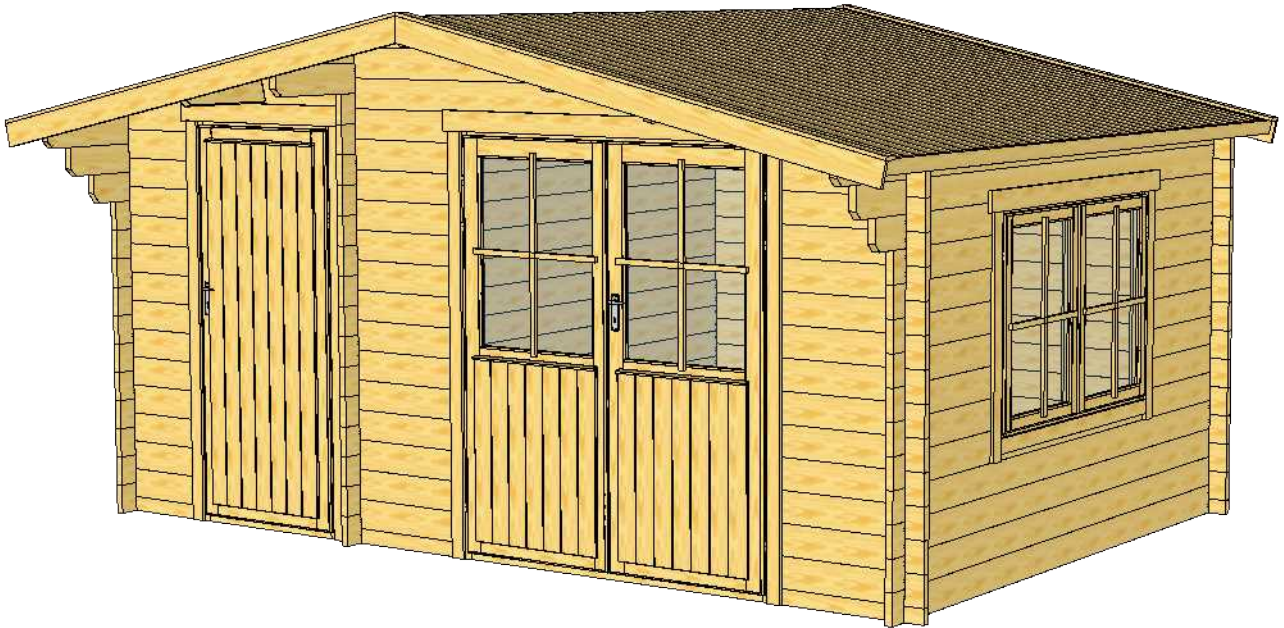
11 pos

11 pos

\* - Screws are not included in the package

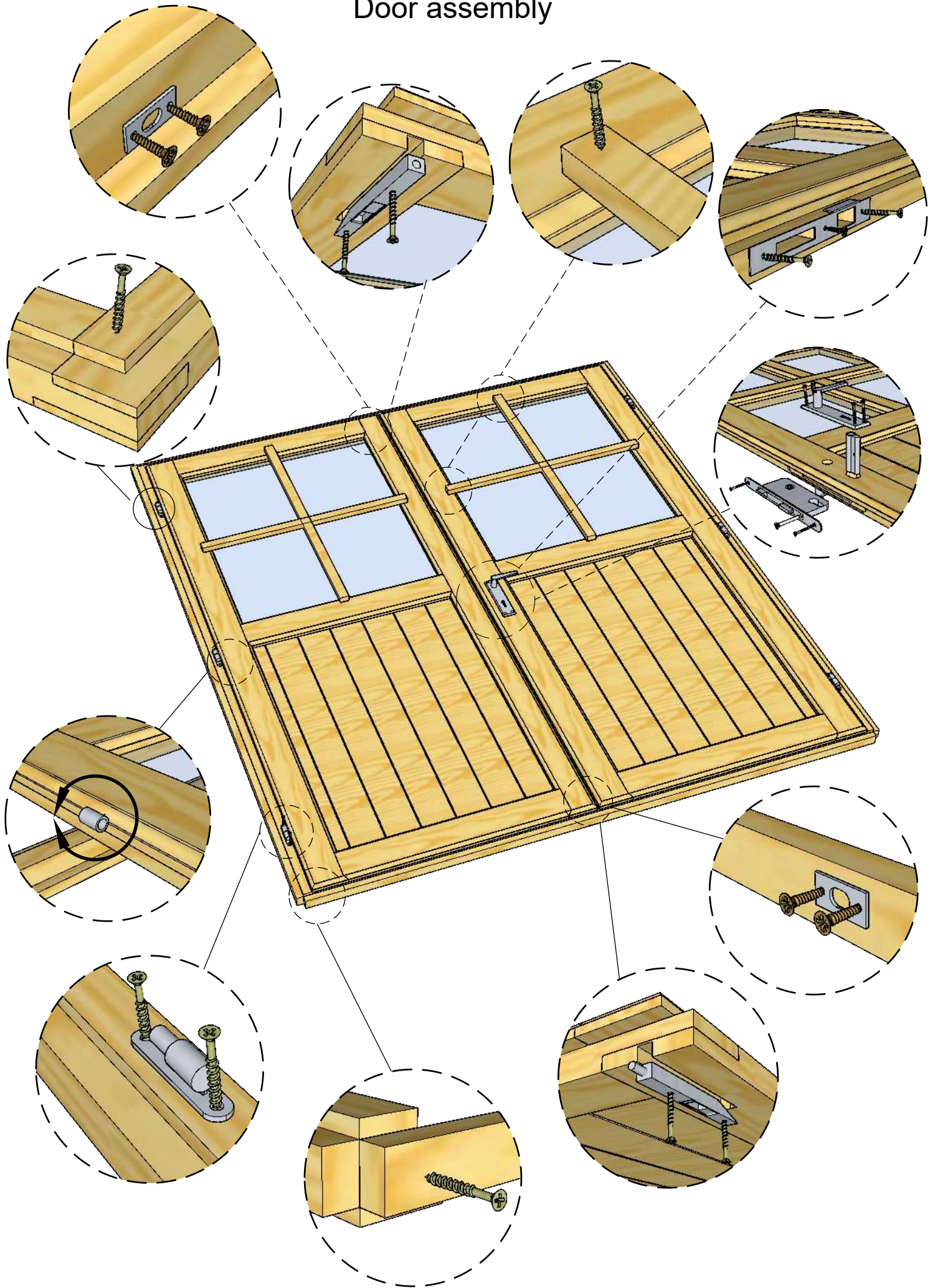


# Lukas mirror assembly

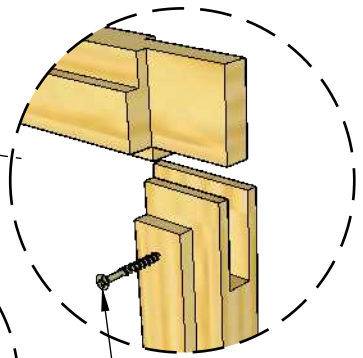
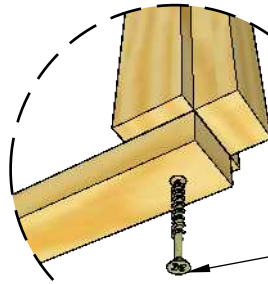
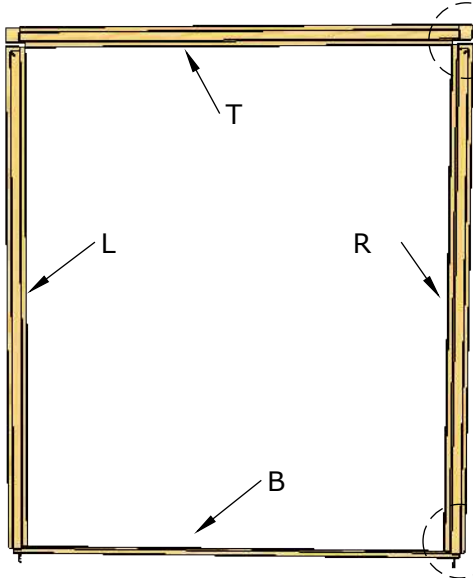


The guide is illustrative. This guide is not project specification.

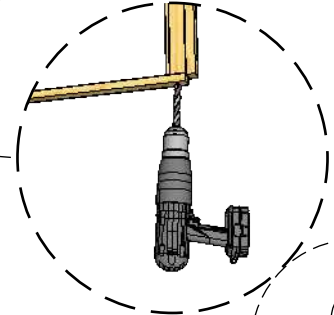
## Door assembly



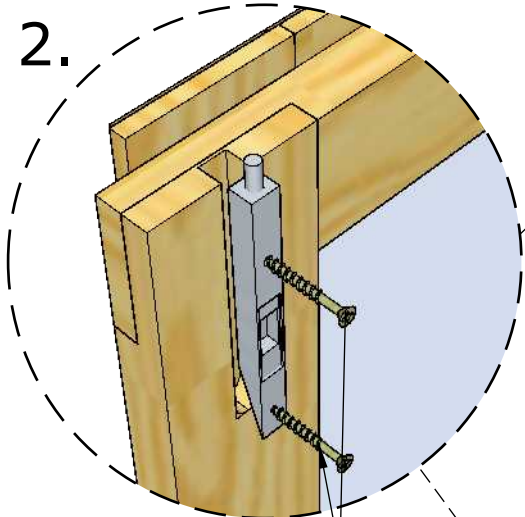
1.



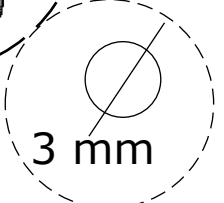
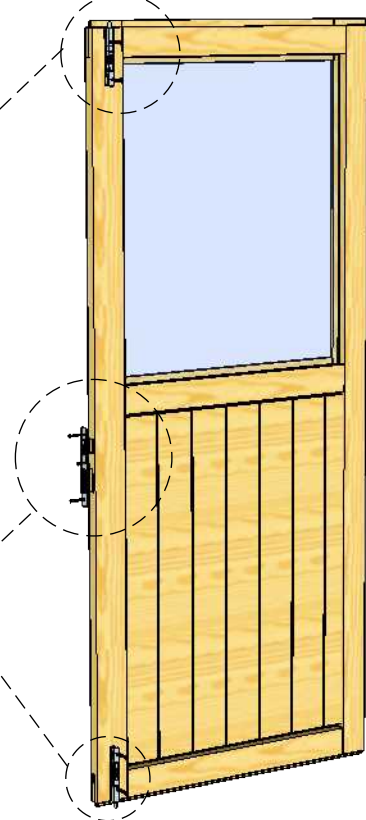
3.5x40\*



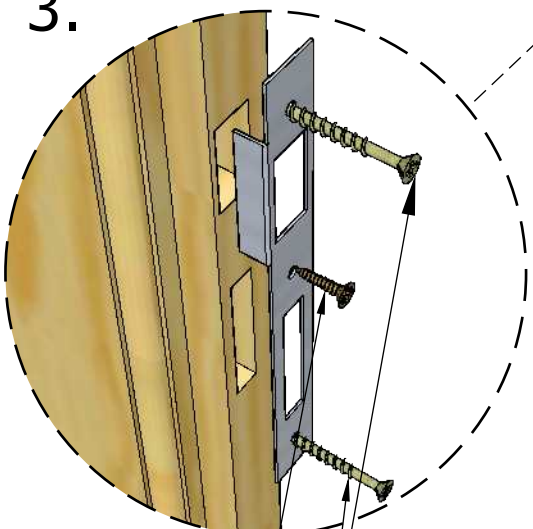
2.



3x30

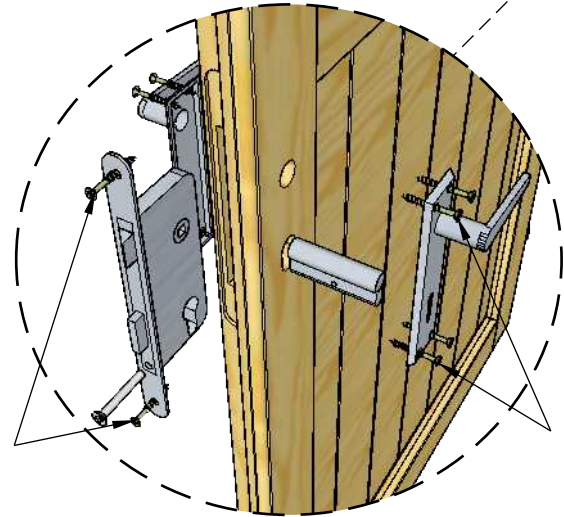


3.



3x16

3x30

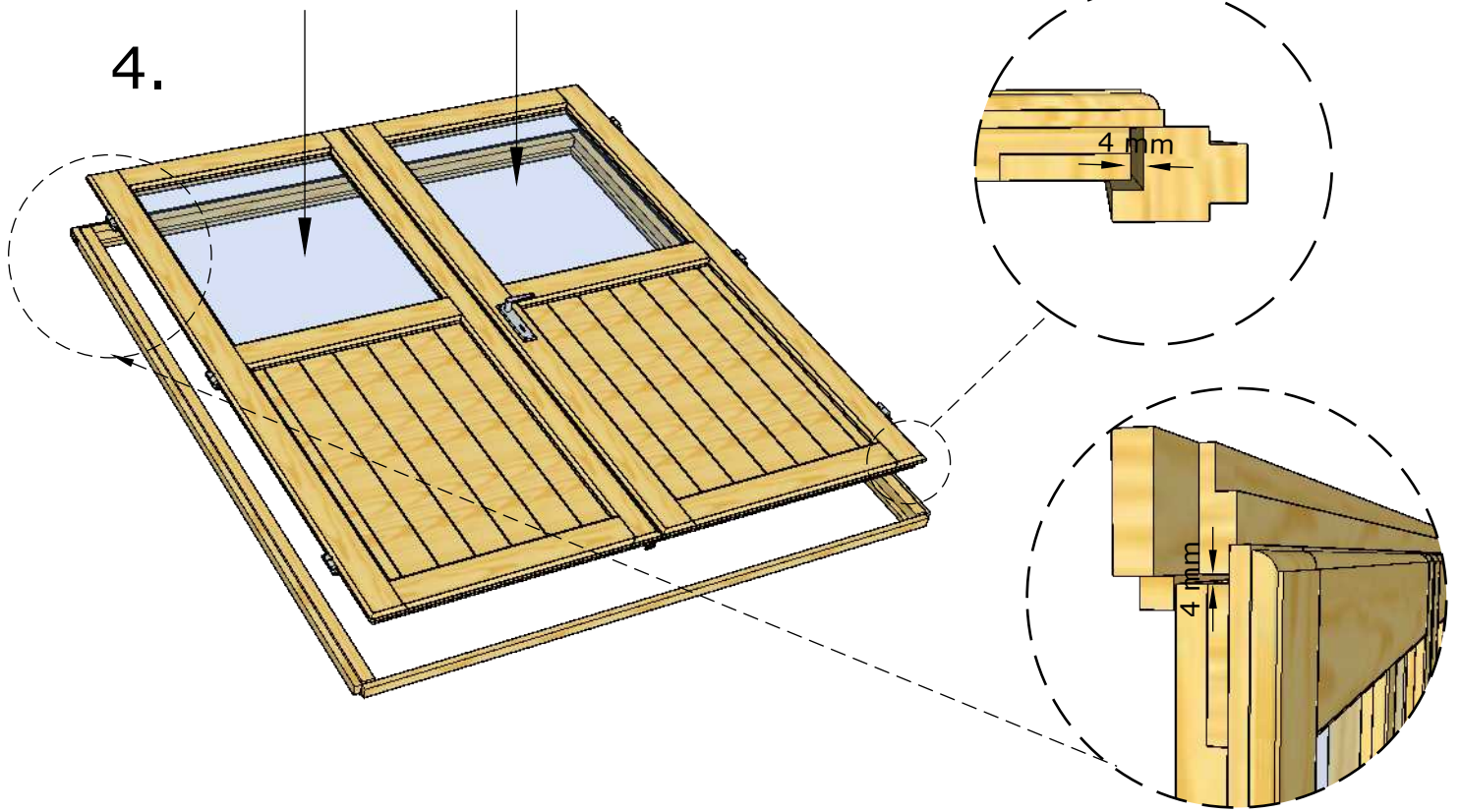


3.5x40

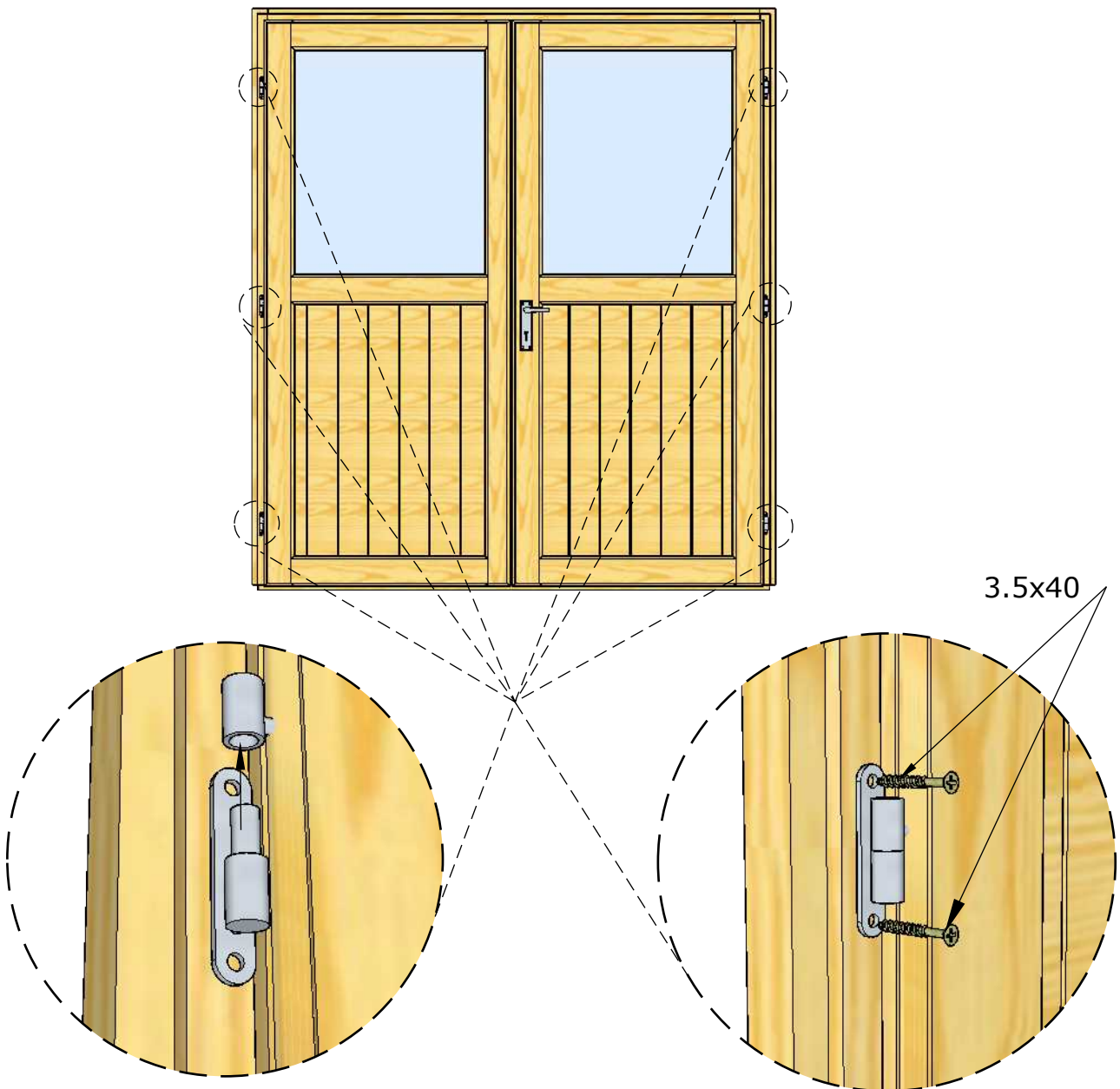
3.5x25

\* - Screws are not included in the package

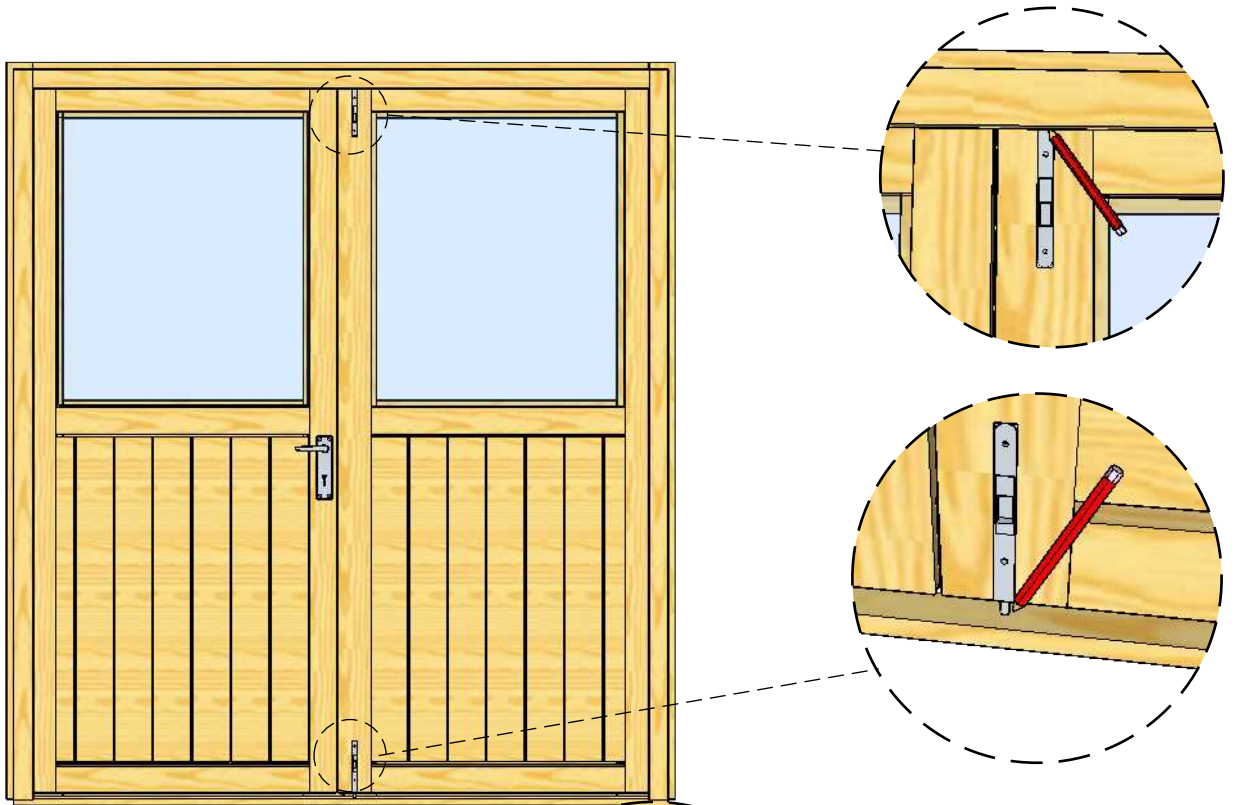
4.



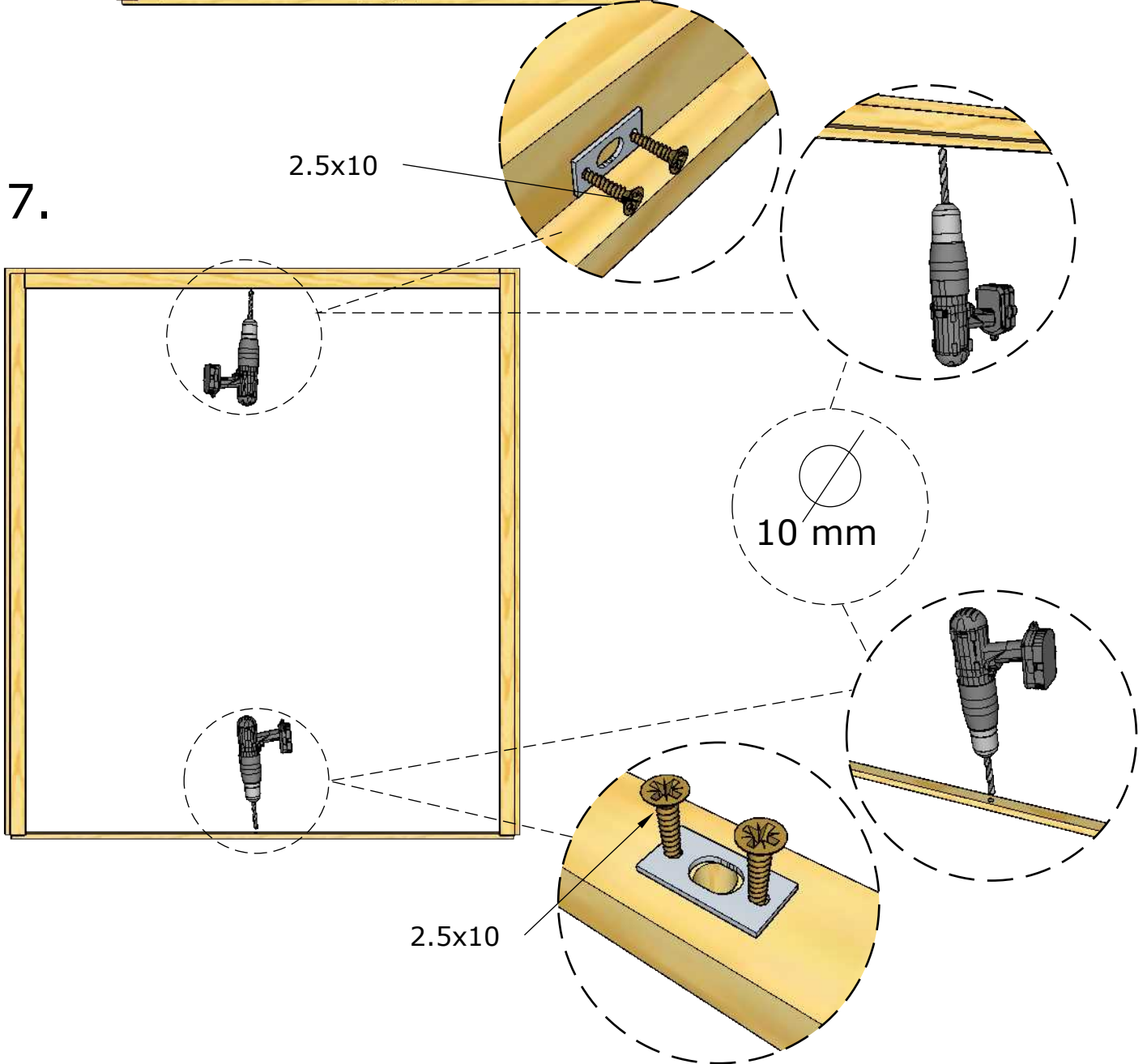
5.



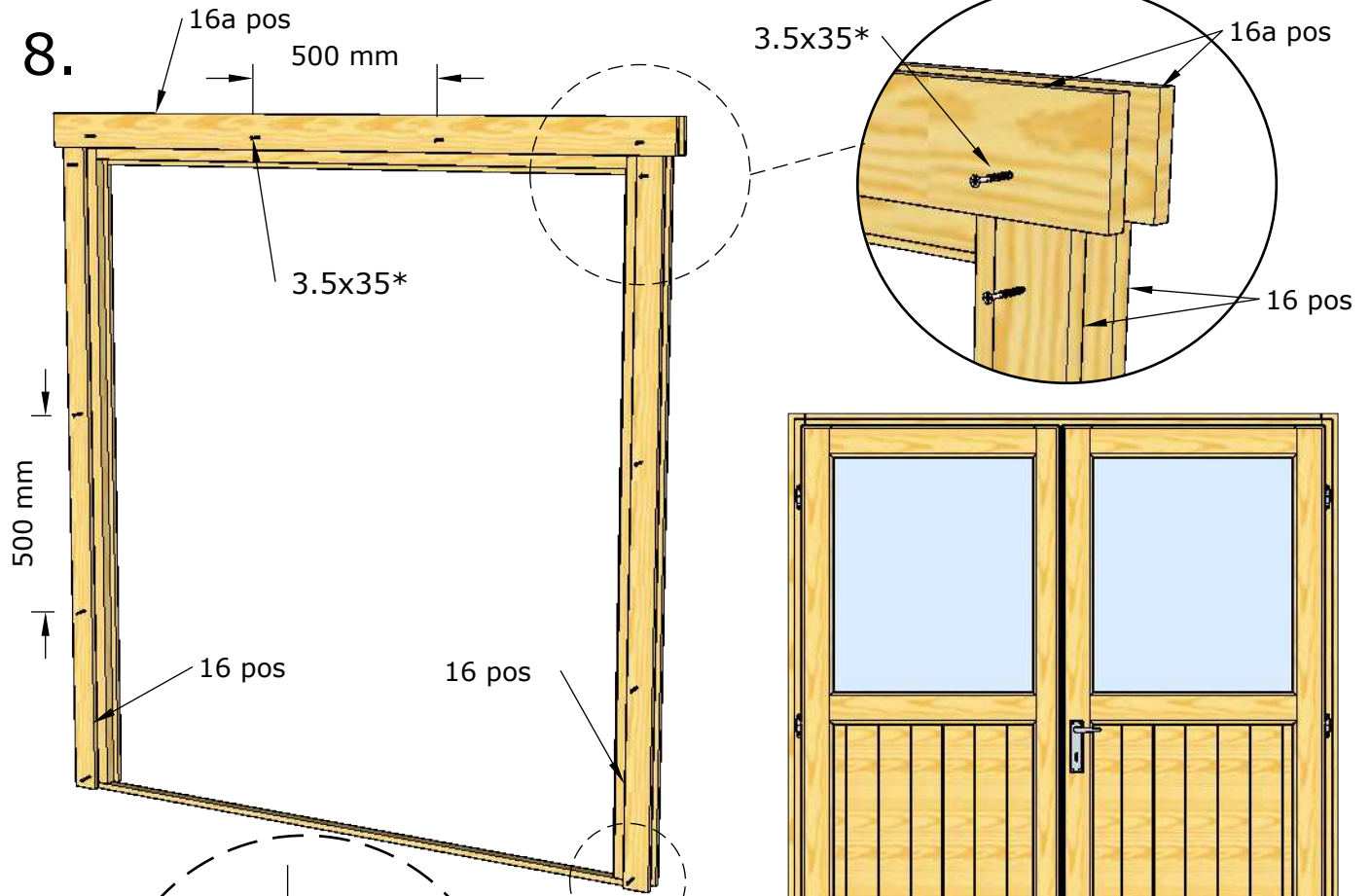
6.



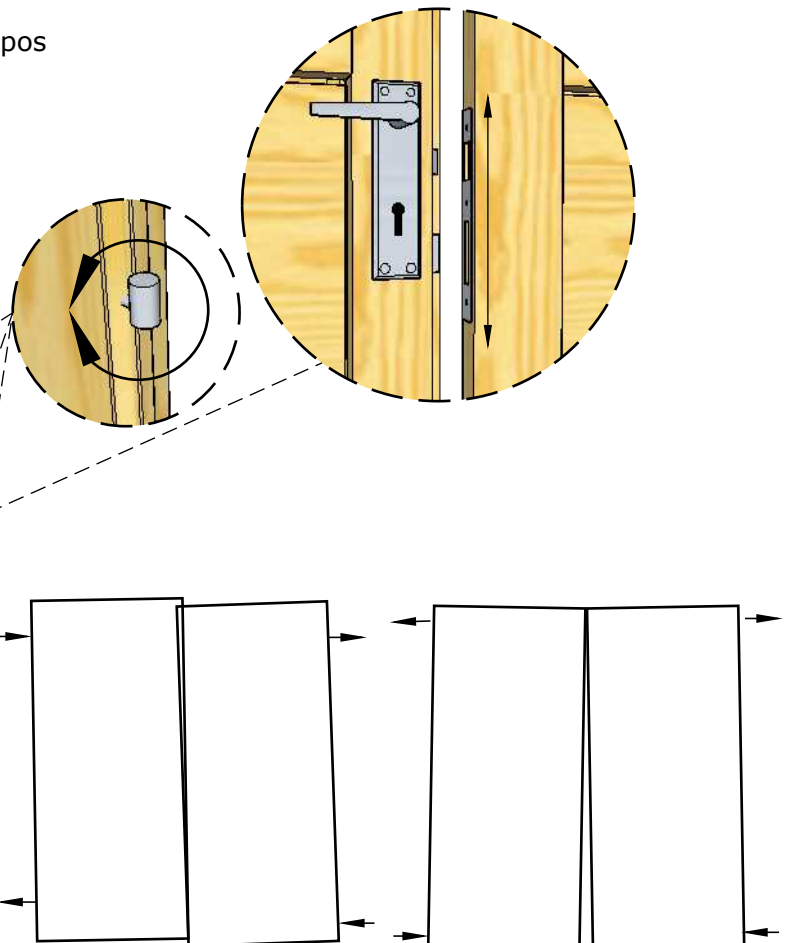
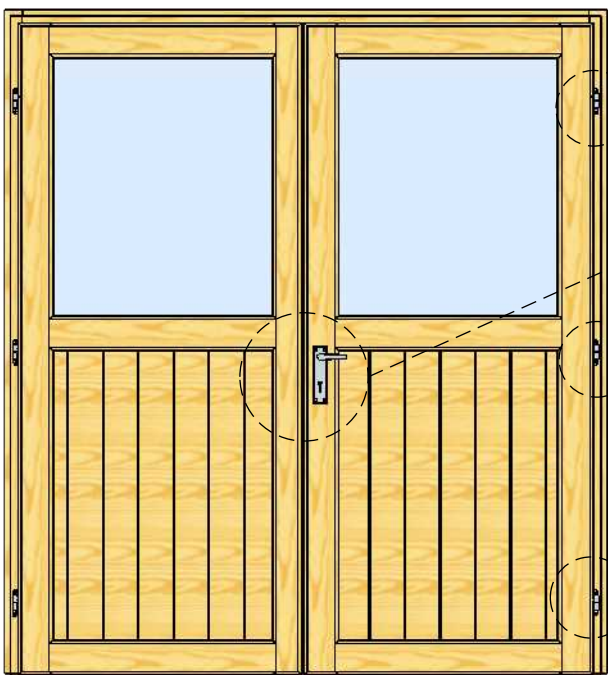
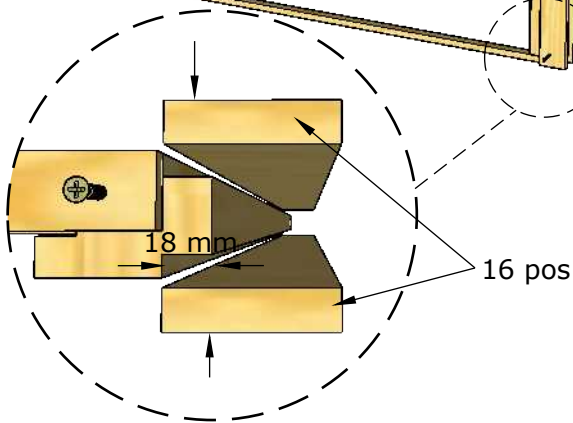
7.



8.

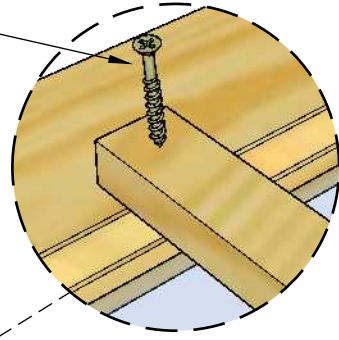


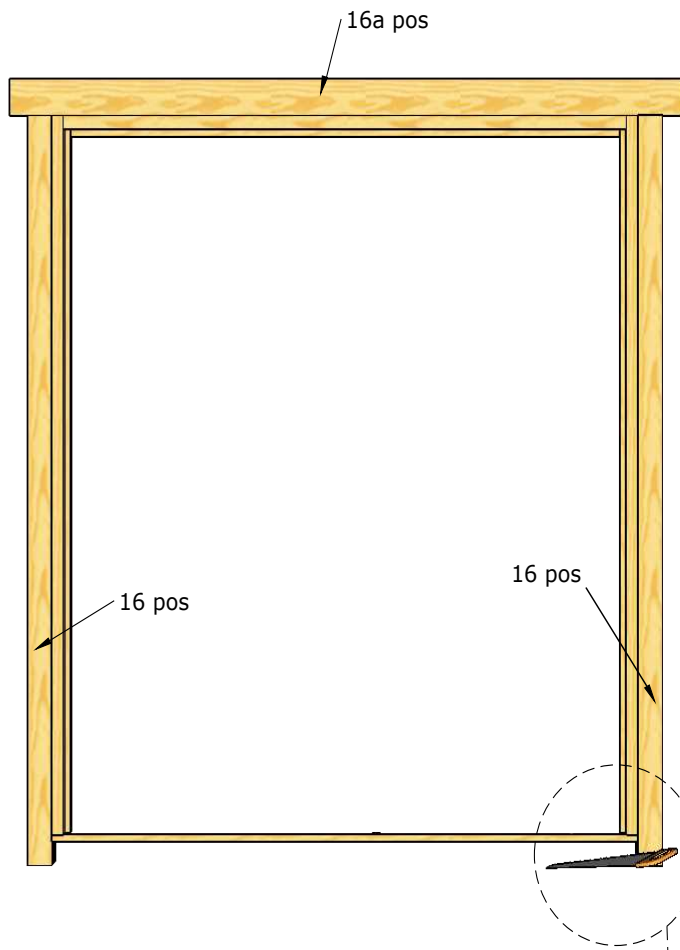
9.



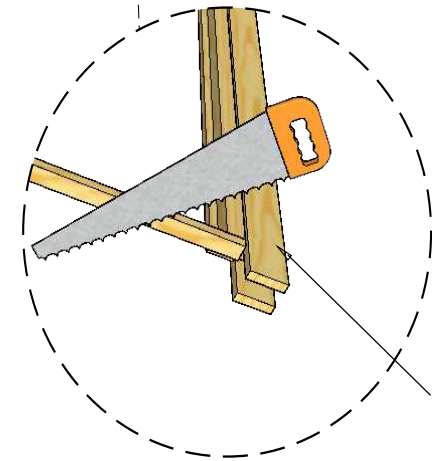
\* - Screws are not included in the package

3,5x20





Cut pos 16 if too long



**Window**

Normal ca 25 mm  
min-max ca 5-90 mm

**Door**

Normal - ca 40 mm;  
min - ca 5 mm;  
max - ca 90 mm

