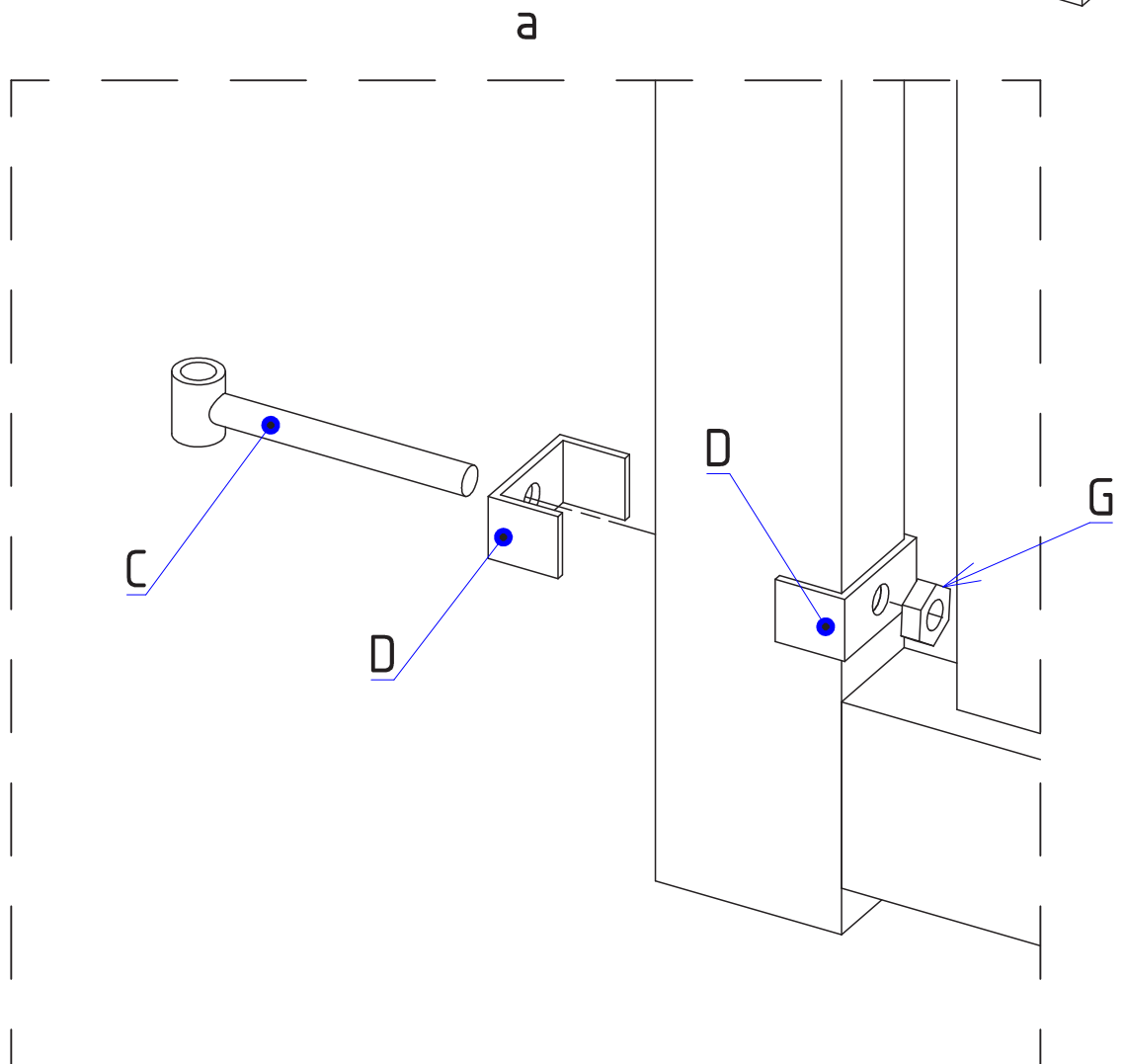
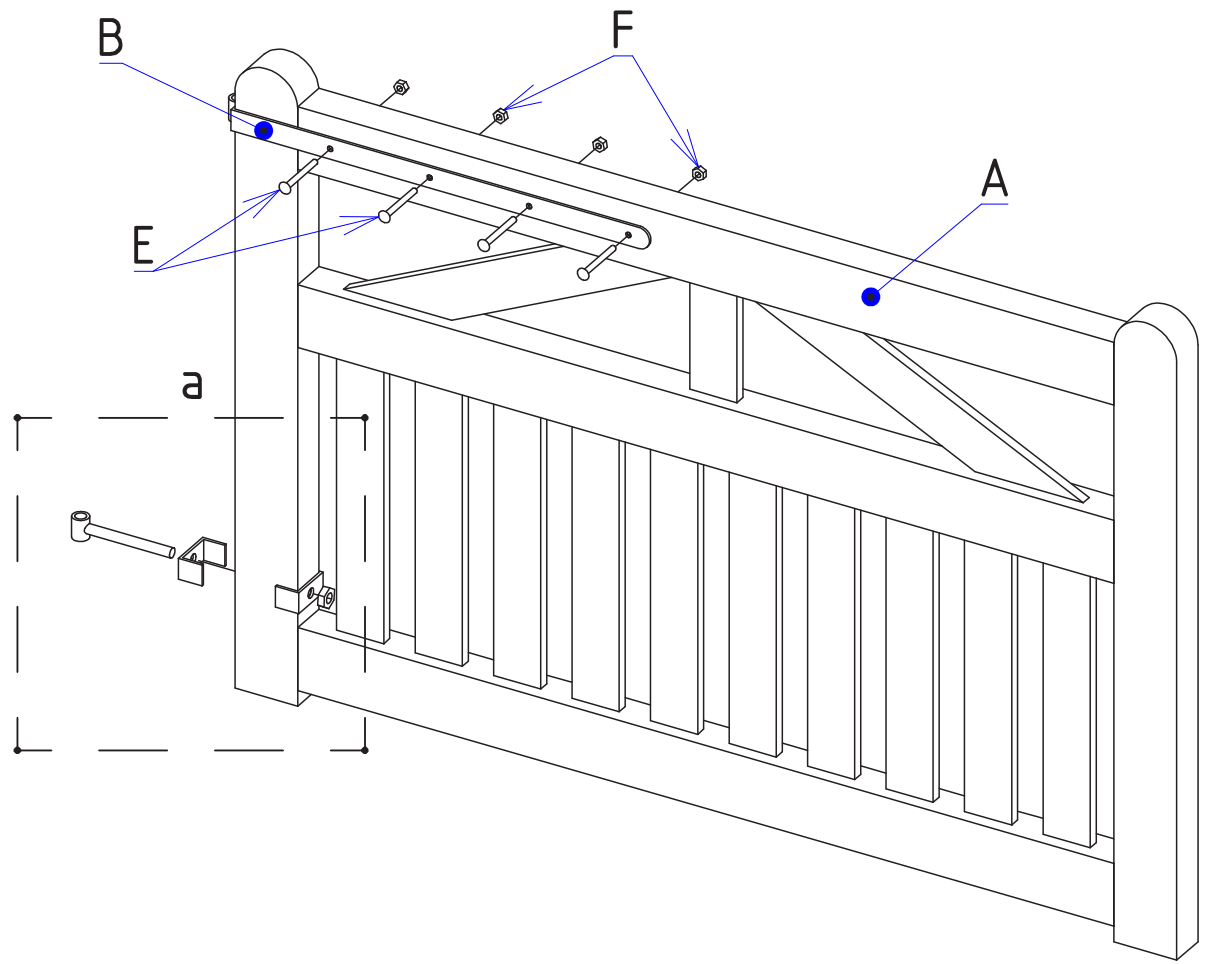


Ref.	Designation	Q.ty	Ref.	Designation	Q.ty
A	Gate	2	G	Nut M16	10
B	Hinge	2	H	Hinge pin	4
C	Eye bolt	2	J	Washer	8
D	Channel bar	4	K	Bolt	2
E	Screw 10x90	9	L	Lock	1
F	Nut M10	9	M	Screw 4x30	20



2.

